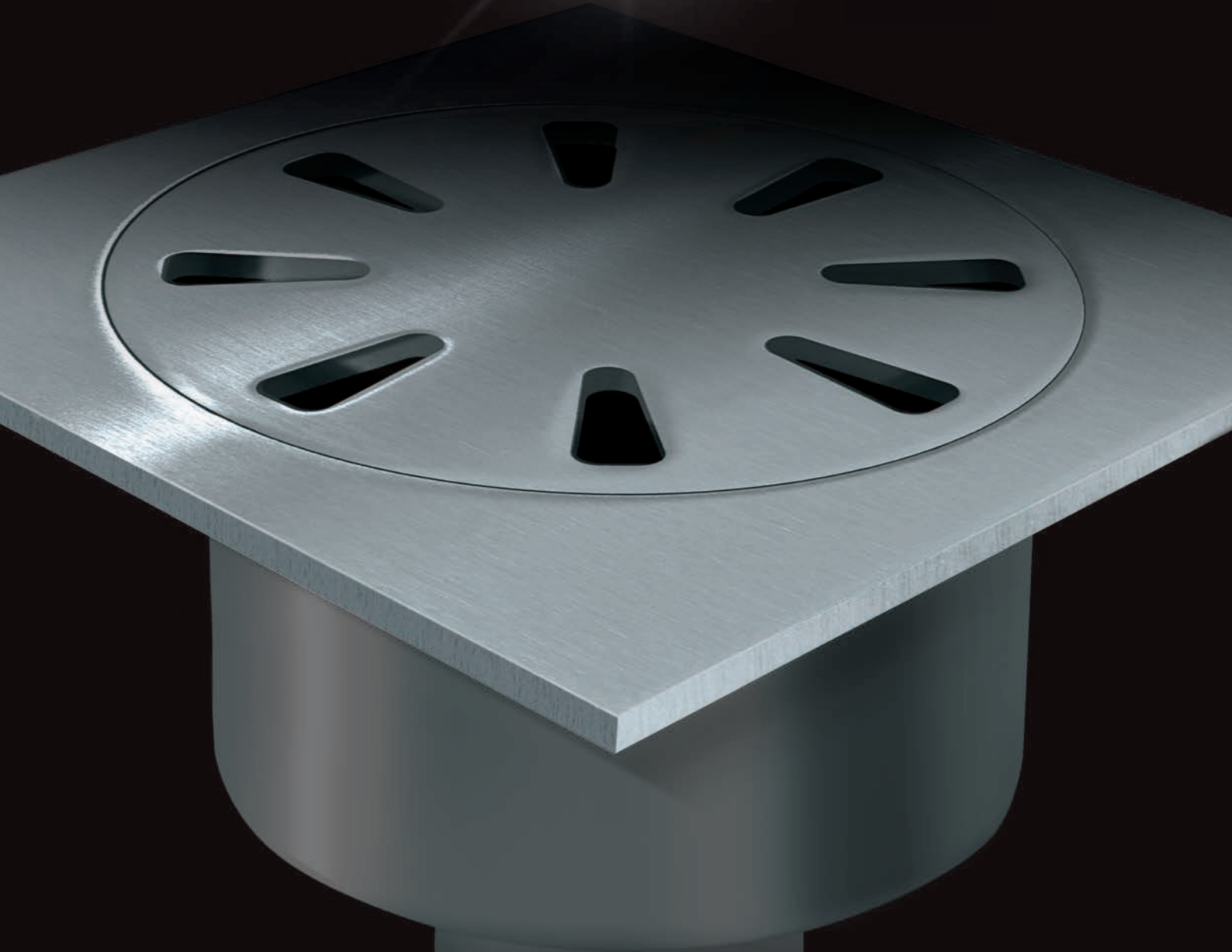


Leoni



משווק ע"י מגט קונקט בע"מ

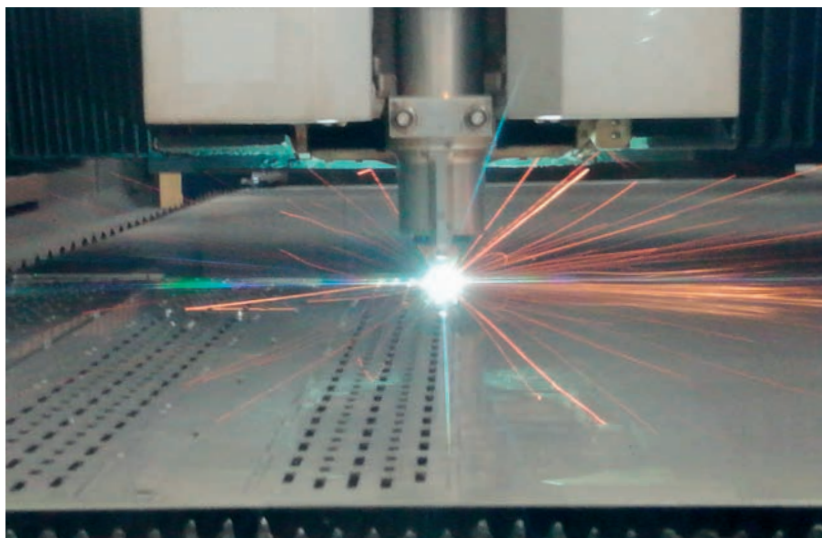
connect
מתחברים למקצוענים

ת.ד. 499 מעלות 2101301

טל: 04-9972227 פקס: 04-9976217

Web: www.mgt-connect.co.il

Email: sales@mgt-connect.co.il



Officina Meccanica LEONI s.a.s. di Riccardo Leoni e C.

Via Caduti del Lavoro, 4 - 43058 Bogolese di Sorbolo - PARMA - ITALIA

Tel. +39 0521 604085/604320 - Fax +39 0521 604300

e-mail: info@leoniparma.it - web: www.leoniparma.it

Reg. soc. Trib. PR 21970 - C.C.I.A.A. 177046 - P. IVA IT 01768010348



This catalogue may be useful to all operators to find the ideal solution for any drainage problems in industrial floors.

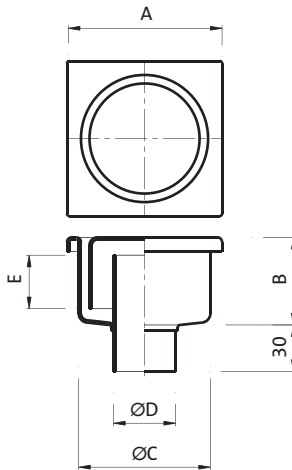
Our company offers a very wide range of gullies, inspections, drain channels also inclusive of grating covers. These allows them to be used, without restriction, in all modern drainage systems for food-processing plants (slaughter-house, wincellars, kitchens, dairy and fish industries), also in chemical and pharmaceutical industries, and swimming pools.

All our goods are made of Stainless Steel AISI 304 (316 on request), the high quality assures an easy washing, hygienic conditions and safety, in any surrounding, as required by the European Community market and his regulations.

Our company provides planning assistance, advise and assembly. For any information, please, contact our offices.

	Pag.
 Standard gullies	4
 Clean Out	7
 Grating gullies	8
 Gullies with O-ring closure	9
 Gullies lower version	10
 Special applications	11
 Gullies with lateral outlet	12
 Telescopic gullies	14
 Round gullies	15
 Inspection frames water tight	16
 Inspections	17
 Round channels (Giotto®)	18
 Slot channels	19
 Channels for showers	25
 Channels for swimming pools	28
 Channels for terraces	30
 Basis with grating covers	32
 Channels system with grating covers width 150mm	33
 Channels with grating covers	36
 Angle frames with grating covers	41
 Covers for grating channels (non-standard)	42

P.062 GULLY 100x100,
OUTLET \varnothing 40 mm

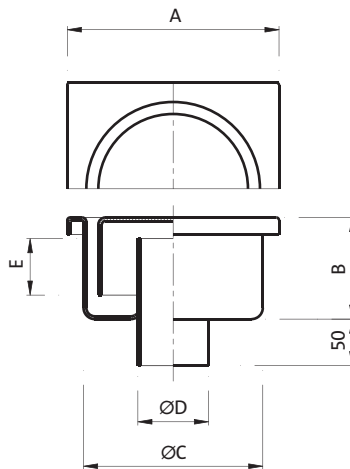


Features

Finish: **Sand-blast or polished**
Available with or without basket

Item	Main Measurements (mm)					Capacity (Kg)		Outlet capacity
	A	B	ØC	ØD	E	Concentrated load	Distributed load	Lt/min.
P 062	100	56	85	40	33	0	200	20

P.070 GULLY 150x150,
OUTLET \varnothing 50 mm

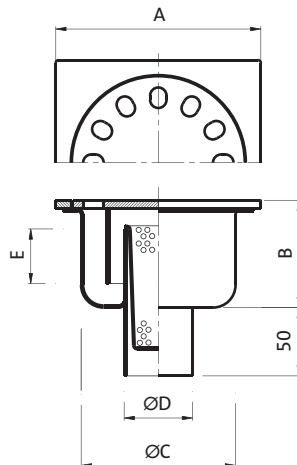


Features

Finish: **Sand-blast or polished**
Available with or without basket.

Item	Main Measurements (mm)					Capacity (Kg)		Outlet capacity
	A	B	ØC	ØD	E	Concentrated load	Distributed load	Lt/min.
P 070	150	75	126	50	33	0	300	42

P.024 GULLY 150x150,
OUTLET \varnothing 50 mm

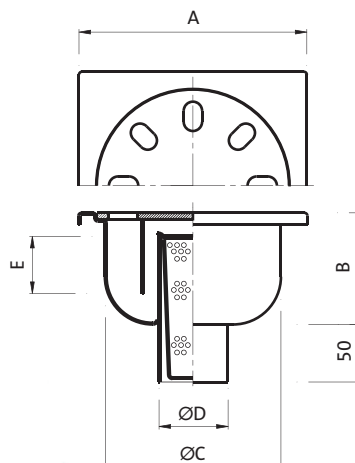


Features

Finish: **Sand-blast**
Available with or without basket
On request round model.
Can be supplied with cover fastened with screw

Item	Main Measurements (mm)					Capacity (Kg)		Outlet capacity
	A	B	ØC	ØD	E	Concentrated load	Distributed load	Lt/min.
P 024	150	80	115	50	35	250	5000	42

P.002 GULLY 200x200,
OUTLET \varnothing 63,5 mm

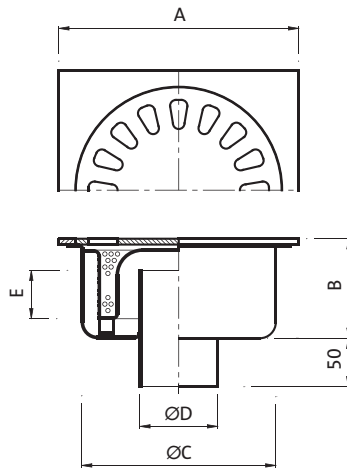


Features

Finish: **Sand-blast**
Available with or without basket.
Can be supplied with cover fastened with screw.

Item	Main Measurements (mm)					Capacity (Kg)		Outlet capacity
	A	B	ØC	ØD	E	Concentrated load	Distributed load	Lt/min.
P 002	200	85	150	63,5	50	850	3000	74

P.016 GULLY 250x250,
OUTLET \varnothing 76/80 mm



Features

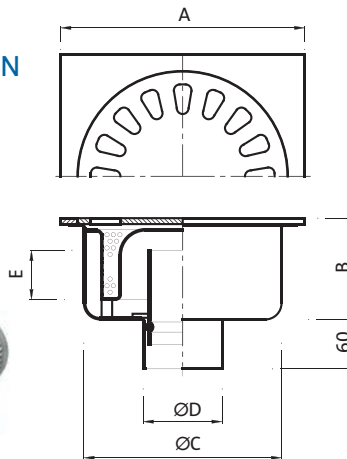
Finish: **Sand-blast**

On request round model.

Available with or without basket and also with top plate of different thickness. Can be supplied with cover fastened with screw.

Item	Main Measurements (mm)					Capacity (Kg)		Outlet capacity
	A	B	ØC	ØD	E	Concentrated load	Distributed load	Lt/min.
P 016	250	115	195	$\frac{76}{80}$	50	850	3000	110

P.025 GULLY 250x250,
OUTLET \varnothing 76 mm
WITH REMOVABLE SIPHON



Features

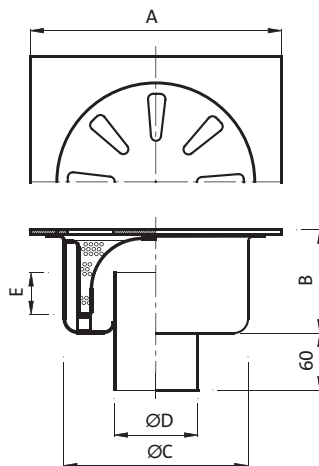
Finish: **Sand-blast**

On request round model.

Available with or without basket and also with top plate of different thickness. Can be supplied with cover fastened with screw.

Item	Main Measurements (mm)					Capacity (Kg)		Outlet capacity
	A	B	ØC	ØD	E	Concentrated load	Distributed load	Lt/min.
P 025	250	115	195	76	50	850	3000	46

P.005 GULLY 300x300,
OUTLET \varnothing 101,6/110 mm



Features

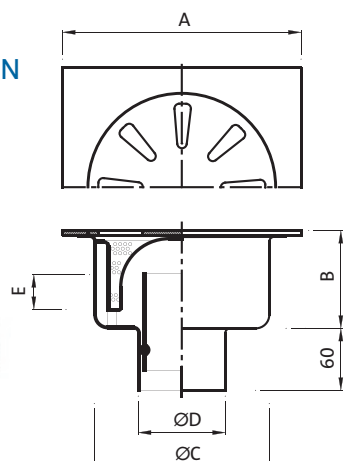
Finish: **Sand-blast**

On request round model.

Available with or without basket and also with top plate of different thickness. Can be supplied with cover fastened with screw.

Item	Main Measurements (mm)					Capacity (Kg)		Outlet capacity
	A	B	ØC	ØD	E	Concentrated load	Distributed load	Lt/min.
P 005	300	126	220	$\frac{101,6}{110}$	60	850	3000	140

P.026 GULLY 300x300,
OUTLET \varnothing 110 mm
WITH REMOVABLE SIPHON



Features

Finish: **Sand-blast**

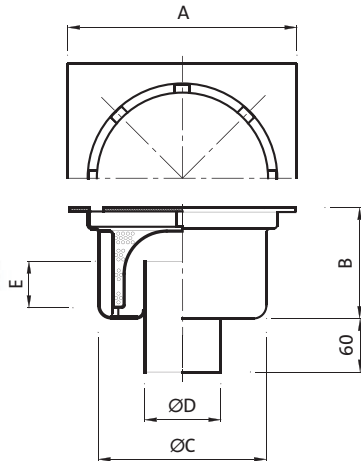
On request round model.

Available with or without basket and also with top plate of different thickness. Can be supplied with cover fastened with screw.

Item	Main Measurements (mm)					Capacity (Kg)		Outlet capacity
	A	B	ØC	ØD	E	Concentrated load	Distributed load	Lt/min.
P.026	300	126	220	110	60	850	3000	120

P.007

**GULLY 300x300
REINFORCED,
OUTLET \varnothing 101,6/110 mm**



Features

Finish: **Sand-blast**

On request round model.

Available with or without basket and also with top plate of different thickness.

Item	Main Measurements (mm)					Capacity (Kg)		Outlet capacity Lt/min.
	A	B	ØC	ØD	E	Concentrated load	Distributed load	
P007	300	145	220	$\frac{101,6}{110}$	60	1600	8000	160



**Cover with flat bar
25x8 mm**



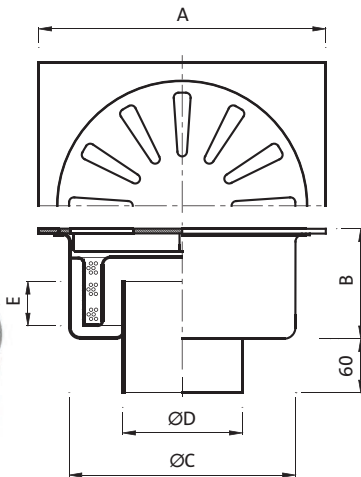
Grating covers



**Cover with plate
anti-skid**

P.020

**GULLY 350x350
OUTLET \varnothing 154 mm**



Features

Finish: **Sand-blast**

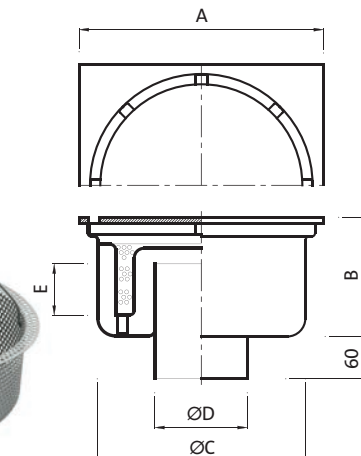
On request round model.

Available with or without basket and also with top plate of different thickness.

Item	Main Measurements (mm)					Capacity (Kg)		Outlet capacity Lt/min.
	A	B	ØC	ØD	E	Concentrated load	Distributed load	
P020	350	150	290	154	60	600	4000	220

P.010

**GULLY 400x400
REINFORCED
OUTLET \varnothing 154 mm**



Features

Finish: **Sand-blast**

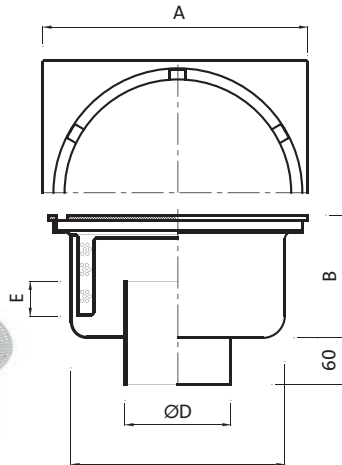
On request round model.

Available with or without basket and also with top plate of different thickness.

Item	Main Measurements (mm)					Capacity (Kg)		Outlet capacity Lt/min.
	A	B	ØC	ØD	E	Concentrated load	Distributed load	
P 010	400	200	340	154	70	1900	14900	220

P.019

**GULLY 500x500
REINFORCED
OUTLET Ø 219 mm**



Features

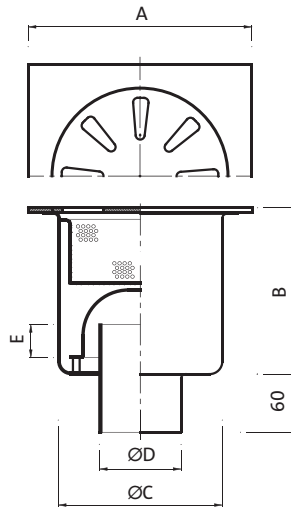
Finish: **Sand-blast**

On request round model.

Available with or without basket and also with top plate of different thickness.

Item	Main Measurements (mm)					Capacity (Kg)		Outlet capacity Lt/min.
	A	B	ØC	ØD	E	Concentr. load	Distribute d load	
P 019	500	235	425	219	80	1900	5000	270

**SIPHONED GULLIES
WITH SEPARATED BASKET**



Features

Finish: **Sand-blast**

On request round model.

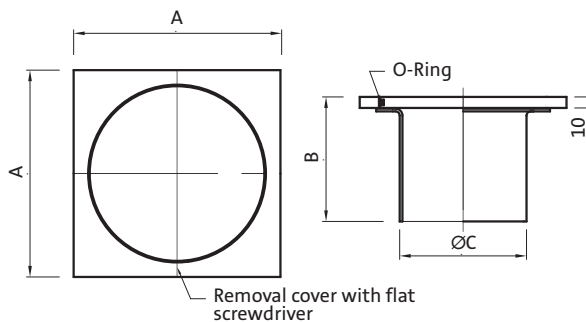
Available with or without basket and also with top plate of different thickness.

Can be supplied with cover fastened with screw.

Item	Main Measurements (mm)					Capacity (Kg)		Outlet capacity Lt/min.
	A	B	ØC	ØD	E	Concentrated load	Distributed load	
P.072	250	220	195	$\frac{76}{80}$	50	850	6500	110
P.074	300	220	220	$\frac{101,6}{110}$	60	850	4000	140
P.076	350	250	290	154	60	600	4000	220

CLEAN OUT

CLO 15x15



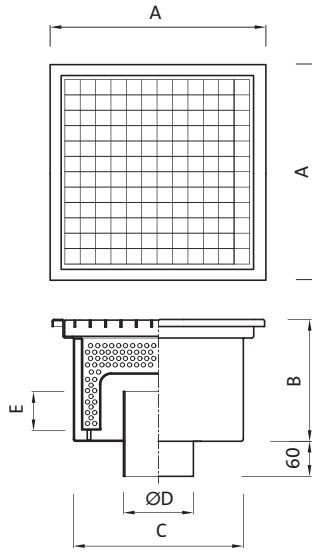
Features

Finish: **Sand-blast**

Also available in round version.

Item	Main Measurements (mm)		
	A	B	ØC
CLO 10x10	100	100	75 / 80
CLO 15x15	150	100	100 / 110

GULLY GRATING VERTICAL OUTLET



Features

Finish: **Sand-blast**

Standard grating cover: bearing bars 25x3 mesh 22x22.

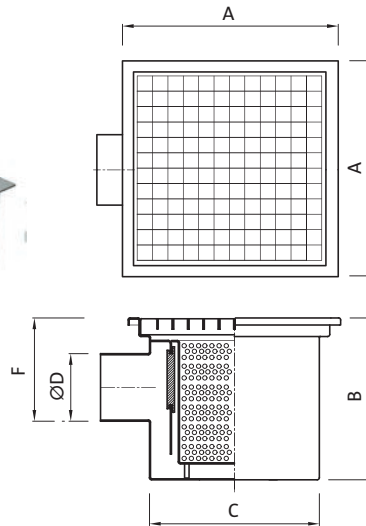
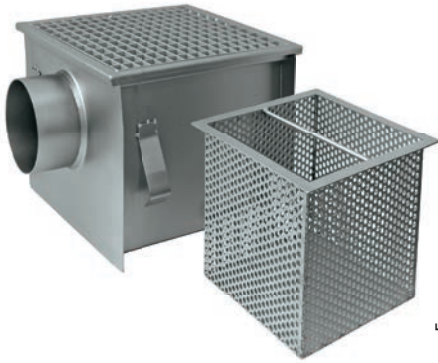
Grating PGR050219 h30.

Also available with grating cover in different mesh.

Item	Main Measurements (mm)					Capacity (Kg) Track of wheels		Outlet capacity Lt/min.
	A	B	C	ØD	E	80x80	120x120	
PGR. 025080	250	250	215	80	60	710	1250	110
PGR. 030100	300	250	265	101,6	60	520	880	140
PGR. 040154	400	250	365	154	60	340	550	220
PGR. 050219	500	250	465	219	60	360	580	270

GRATING GULLIES WITH HORIZONTAL OUTLET

GULLY GRATING HORIZONTAL OUTLET



Features

Finish: **Sand-blast**

Standard grating cover: bearing bars 25x3, mesh 22x22.

Grating PGR050219L h30.

Also available with grating cover in different mesh.

Item	Main Measurements (mm)					Capacity (Kg) Track of wheels		Outlet capacity Lt/min.
	A	B	C	ØD	F	80x80	120x120	
PGR. 025080L	250	250	215	80	130	710	1250	110
PGR. 030100L	300	250	265	101,6	150	520	880	140
PGR. 040154L	400	350	365	154	230	340	550	220
PGR. 050219L	500	450	465	219	300	360	580	270



**Cover with flat bar
25x8 mm**

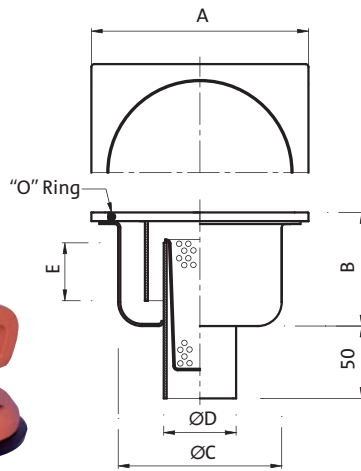


**High thickness cover
with holes**



**High thickness cover
with perimeter slot**

P.024C GULLY 150x150,
OUTLET \varnothing 50 mm



Features

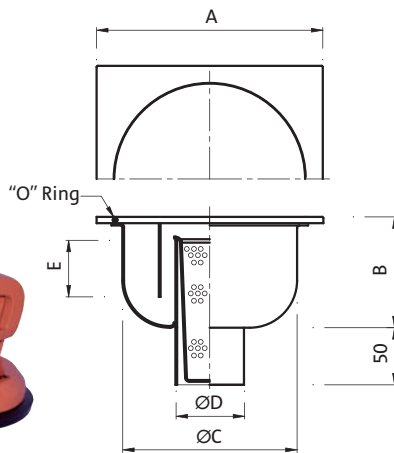
Finish: **Sand-blast**

Available with or without basket, in the lower and round version.

Sucker, accessory sold separately.

Item	Main Measurements (mm)					Capacity (Kg)		Outlet capacity
	A	B	ØC	ØD	E	Concentrated load	Distributed load	Lt/min.
P 024C	150	80	115	50	35	850	5000	42

P.002C GULLY 200x200,
OUTLET \varnothing 63,5 mm



Features

Finish: **Sand-blast**

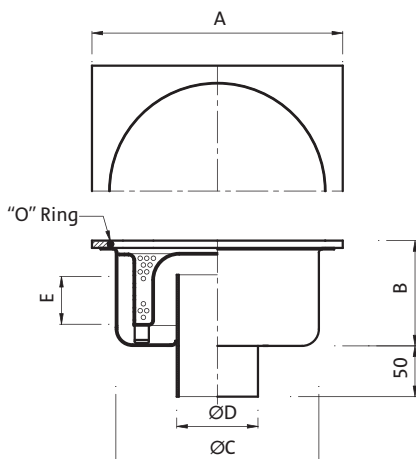
Available with or without basket, in the lower and round version.

Sucker, accessory sold separately.

Item	Main Measurements (mm)					Capacity (Kg)		Outlet capacity
	A	B	ØC	ØD	E	Concentrated load	Distributed load	Lt/min.
P 002C	200	85	150	63,5	50	850	3000	74

P.064 GULLY 250x250,
OUTLET \varnothing 76/80 mm

P.065 GULLY 300x300,
OUTLET \varnothing 101,6/110 mm



Features

Finish: **Sand-blast**

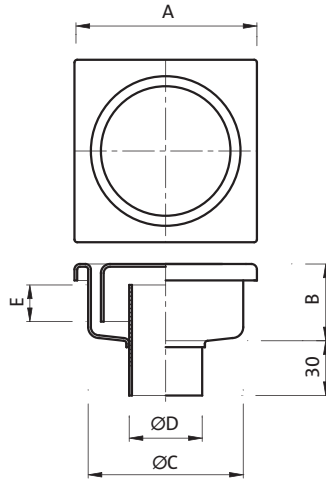
Available with or without basket, in the lower and round version.

Sucker, accessory sold separately.



Item	Main Measurements (mm)					Capacity (Kg)		Outlet capacity
	A	B	ØC	ØD	E	Concentrated load	Distributed load	Lt/min.
P.064	250	115	195	$\frac{76}{80}$	50	850	5000	110
P.065	300	126	220	$\frac{110}{101,6}$	60	850	4000	140

P.066 GULLY 100x100,
OUTLET \varnothing 40 mm

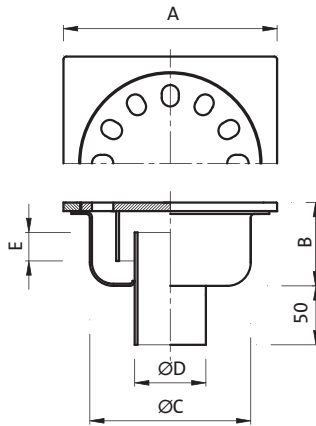


Features

Finish: **Sand-blast or polished**

Item	Main Measurements (mm)					Capacity (Kg)		Outlet capacity
	A	B	ØC	ØD	E	Concentrated load	Distributed load	Lt/min.
P 066	100	35	85	40	15	0	200	18
P 073	150	49	126	50	20	0	300	30

P.028 GULLY 150x150,
OUTLET \varnothing 50 mm



Features

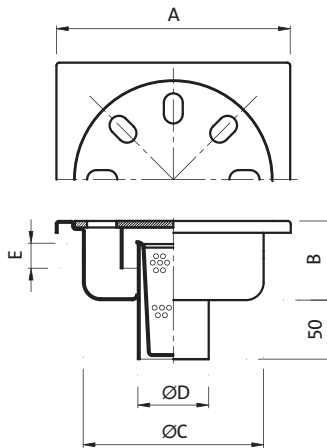
Finish: **Sand-blast**

Available with or without basket.

On request round model.

Item	Main Measurements (mm)					Capacity (Kg)		Outlet capacity
	A	B	ØC	ØD	E	Concentrated load	Distributed load	Lt/min.
P.028	150	55	115	50	20	850	5000	54

P.014 GULLY 200x200,
OUTLET \varnothing 63,5 mm



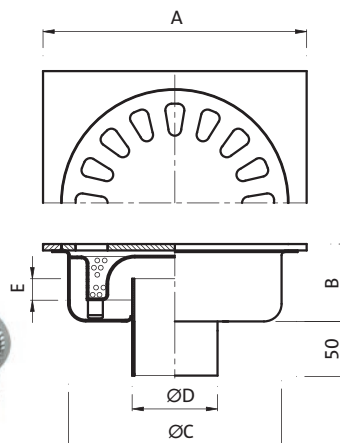
Features

Finish: **Sand-blast**

Available with or without basket.

Item	Main Measurements (mm)					Capacity (Kg)		Outlet capacity
	A	B	ØC	ØD	E	Concentrated load	Distributed load	Lt/min.
P.014	200	50	150	63,5	25	850	3000	57

P.030 GULLY 250x250,
OUTLET \varnothing 76/80 mm



Features

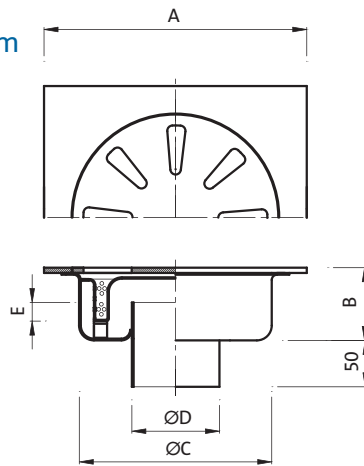
Finish: **Sand-blast**

Available with or without basket.

On request round model.

Item	Main Measurements (mm)					Capacity (Kg)		Outlet capacity
	A	B	ØC	ØD	E	Concentrated load	Distributed load	Lt/min.
P030	250	85	195	$\frac{76}{80}$	25	850	3000	80

P.006 GULLY 300x300,
OUTLET \varnothing 101,6/100 mm

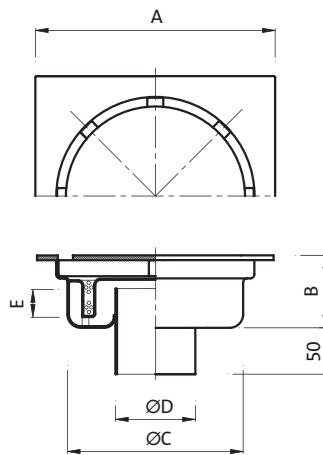


Features

Finish: **Sand-blast**
Available with or without basket.
On request round model.

Item	Main Measurements (mm)					Capacity (Kg)		Outlet capacity
	A	B	ØC	ØD	E	Concentrated load	Distributed load	Lt/min.
P006	300	85	220	$\frac{101,6}{110}$	30	850	3000	100

P.012 GULLY 300x300
REINFORCED,
OUTLET \varnothing 101,6/110 mm



Features

Finish: **Sand-blast**
Available with or without basket.
On request round model.

Item	Main Measurements (mm)					Capacity (Kg)		Outlet capacity
	A	B	ØC	ØD	E	Concentrated load	Distributed load	Lt/min.
P012	300	85	220	$\frac{101,6}{110}$	25	1600	8000	100

SPECIAL APPLICATIONS

GULLIES WITH PIPE UNION



NOTE:

On all standard and lower models, with vertical or horizontal discharge.

On all unions it is possible have an upper flange with screws for securing the insulation.

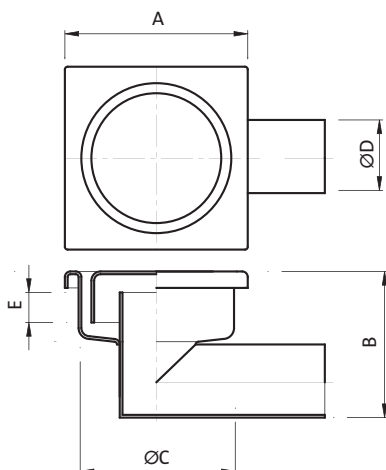
GULLIES WITH FRAME



NOTE:

On all models with plate surface, in standard or lower versions with vertical discharge.

P.066L GULLY 100x100,
OUTLET \varnothing 40 mm

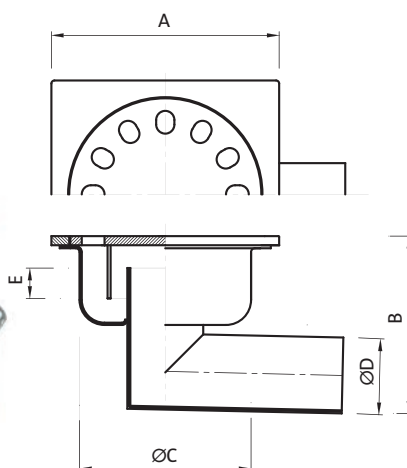


Features

Finish: **Sand-blast** or polished.

Item	Main Measurements (mm)					Capacity (Kg)		Outlet capacity Lt/min.
	A	B	\varnothing C	\varnothing D	E	Concentrated load	Distributed load	
P.066L	100	80	85	40	15	0	200	18
P.062L	100	110	85	40	33	0	200	20
P.073L	150	105	126	50	20	0	300	38
P.070L	150	130	126	50	33	0	300	38

P.028L GULLY 150x150,
OUTLET \varnothing 50 mm



Features

Finish: **Sand-blast**

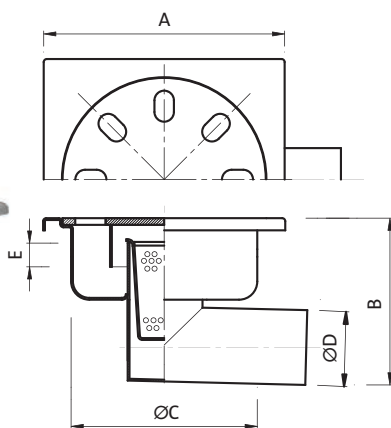
Available with or without basket.

Can be supplied with cover fastened with screw

On request round model.

Item	Main Measurements (mm)					Capacity (Kg)		Outlet capacity Lt/min.
	A	B	\varnothing C	\varnothing D	E	Concentrated load	Distributed load	
P.028L	150	115	110	50	20	850	5000	38
P.024L	150	135	110	50	35	850	5000	38

P.014L GULLY 200x200,
OUTLET \varnothing 63,5 mm



Features

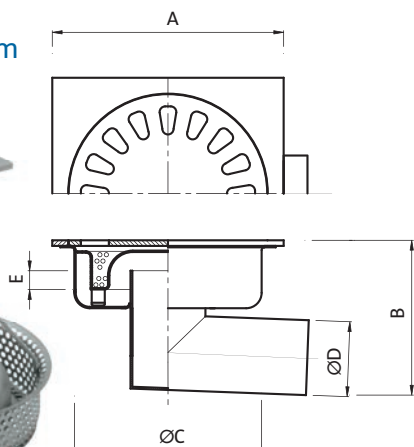
Finish: **Sand-blast**

Available with or without basket.

Can be supplied with cover fastened with screw

Item	Main Measurements (mm)					Capacity (Kg)		Outlet capacity Lt/min.
	A	B	\varnothing C	\varnothing D	E	Concentrated load	Distributed load	
P.014L	200	125	150	63,5	25	850	3000	38
P.002L	200	155	150	63,5	50	850	3000	38

P.030L GULLY 250x250,
OUTLET \varnothing 76/80 mm



Features

Finish: **Sand-blast**

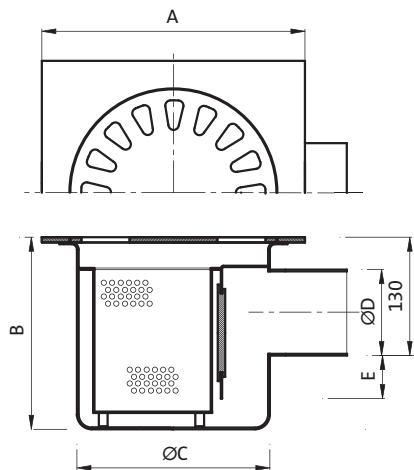
Available with or without basket.

Can be supplied with cover fastened with screw.

On request round model.

Item	Main Measurements (mm)					Capacity (Kg)		Outlet capacity Lt/min.
	A	B	\varnothing C	\varnothing D	E	Concentrated load	Distributed load	
P.030L	250	175	195	76	25	850	3000	55
P.016L	250	205	195	80	50	850	3000	55

P.030L2 GULLY 250x250,
OUTLET
Ø 76/80 mm

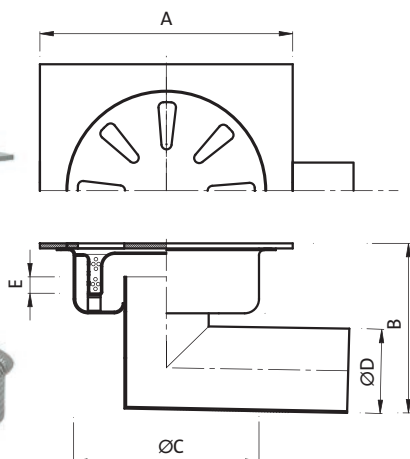


Features

- Finish: **Sand-blast**
- Available with or without basket.
- On request round model.
- Can be supplied with cover fastened with screw

Item	Main Measurements (mm)					Capacity (Kg)		Outlet capacity
	A	B	ØC	ØD	E	Concentrated load	Distributed load	Lt/min.
P030L/2	250	250	195	$\frac{76}{80}$	60	850	5000	55

P.006L GULLY 300x300,
OUTLET
Ø 101,6/110 mm

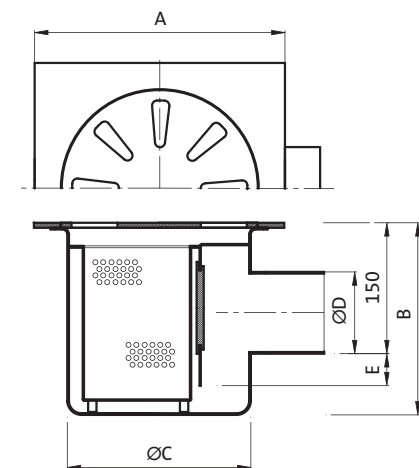


Features

- Finish: **Sand-blast**
- Available with or without basket.
- On request round model.
- Can be supplied with cover fastened with screw

Item	Main Measurements (mm)					Capacity (Kg)		Outlet capacity
	A	B	ØC	ØD	E	Concentrated load	Distributed load	Lt/min.
P.006L	300	205	220	$\frac{101,6}{110}$	30	850	3000	70
P.005L	300	245	220	$\frac{101,6}{110}$	60	850	3000	70

P.006L/2 GULLY 300x300,
OUTLET
Ø 101,6/110 mm

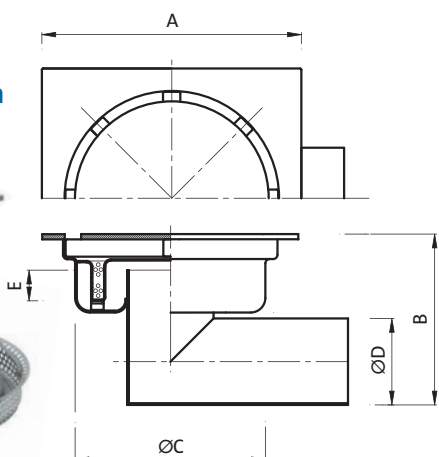


Features

- Finish: **Sand-blast**
- Available with or without basket.
- On request round model.
- Can be supplied with cover fastened with screw

Item	Main Measurements (mm)					Capacity (Kg)		Outlet capacity
	A	B	ØC	ØD	E	Concentrated load	Distributed load	Lt/min.
P006L/2	300	250	220	$\frac{101,6}{110}$	60	850	4000	70

P.012L GULLY 300x300
REINFORCED,
OUTLET
Ø 101,6/110 mm



Features

- Finish: **Sand-blast**
- Available with or without basket.
- On request round model.
- Can be supplied with cover fastened with screw

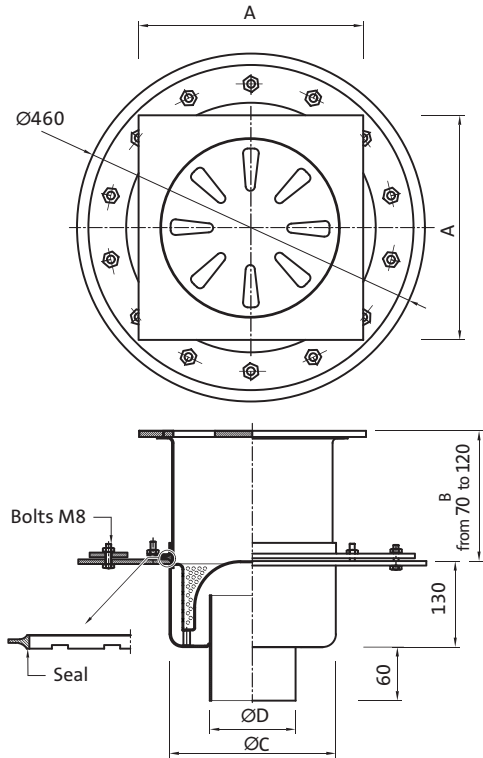
Item	Main Measurements (mm)					Capacity (Kg)		Outlet capacity
	A	B	ØC	ØD	E	Concentrated load	Distributed load	Lt/min.
P.012L	300	205	220	$\frac{101,6}{110}$	25	1600	8000	70
P.007L	300	265	220	$\frac{101,6}{110}$	60	1600	8000	70

P.005T GULLY 300x300



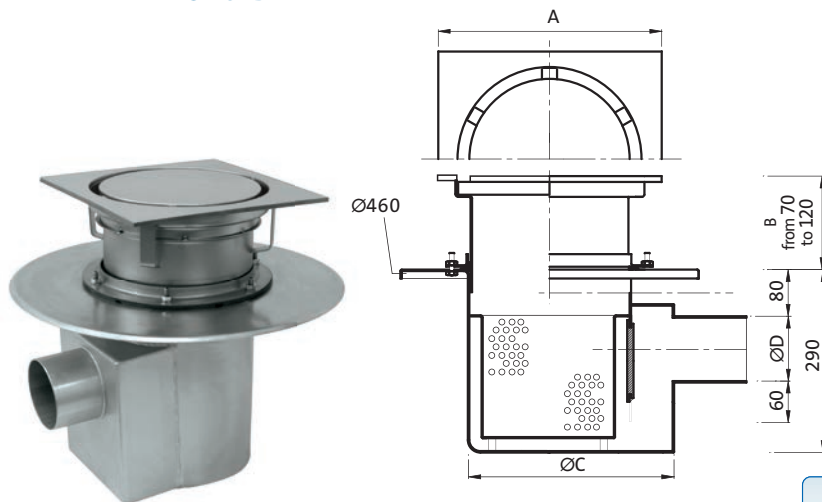
Features

- Finish: Sand-blast
- Available with or without basket.
- Different heights if necessary.
- Available also in round version.



Item	Main Measurements (mm)				Capacity (Kg)		Outlet capacity Lt/min.
	A	B	ØC	ØD	Concentrated load	Distributed load	
P005T	300	Variable	220	$\frac{101,6}{110}$	850	4000	140

P.007T GULLY 300x300 REINFORCED

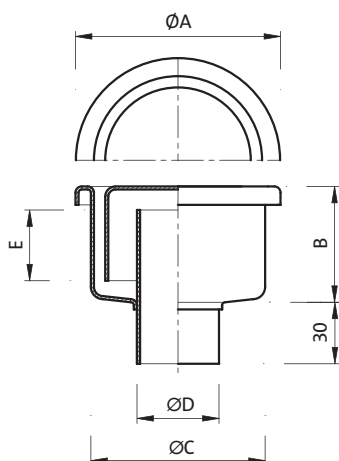


Features

- Finish: Sand-blast
- Available with or without basket.
- Different heights if necessary.
- available round model.

Item	Main Measurements (mm)				Capacity (Kg)		Outlet capacity Lt/min.
	A	B	ØC	ØD	Concentrated load	Distributed load	
P.007T	300	Variable	250	$\frac{101,6}{110}$	1600	8000	140

P.042 GULLY \varnothing 100 mm
OUTLET \varnothing 40 mm

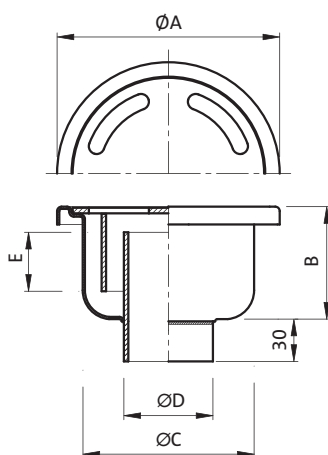


Features

Finish: **Sand-blast or polished**
Available with or without basket.

Item	Main Measurements (mm)					Capacity (Kg)		Outlet capacity
	ØA	B	ØC	ØD	E	Concentrated load	Distributed load	Lt/min.
P042	100	56	85	40	33	0	200	20
P075	150	75	126	50	33	0	300	42

P.031 GULLY \varnothing 100 mm
OUTLET \varnothing 40 mm

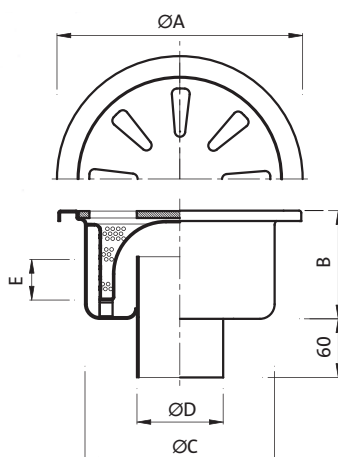


Features

Finish: **Sand-blast**
Available with or without basket.

Item	Main Measurements (mm)					Capacity (Kg)		Outlet capacity
	ØA	B	ØC	ØD	E	Concentrated load	Distributed load	Lt/min.
P031	100	55	80	40	20	0	200	12

P.040 GULLY \varnothing 285 mm
OUTLET \varnothing 101,6/110 mm

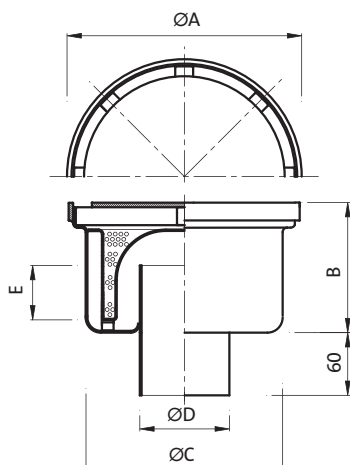


Features

Finish: **Sand-blast**
Available with or without basket.
Can be supplied with cover fastened with screw

Item	Main Measurements (mm)					Capacity (Kg)		Outlet capacity
	ØA	B	ØC	ØD	E	Concentrated load	Distributed load	Lt/min.
P040	285	130	220	$\frac{101,6}{110}$	60	850	4000	140

P.037 GULLY
REINFORCED \varnothing 260 mm
OUTLET \varnothing 101,6/110 mm



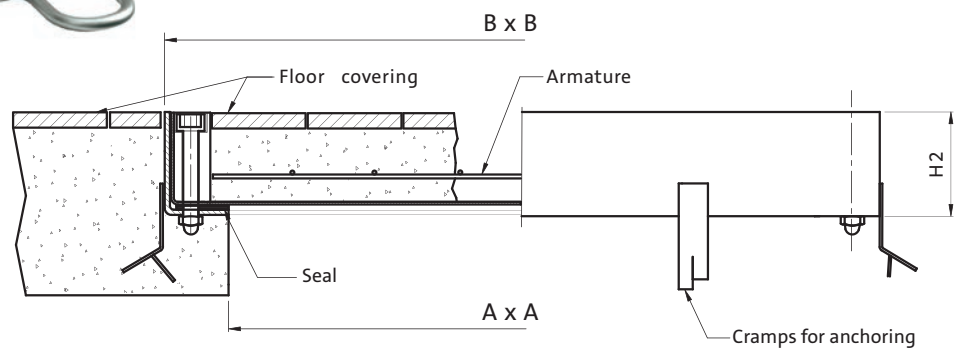
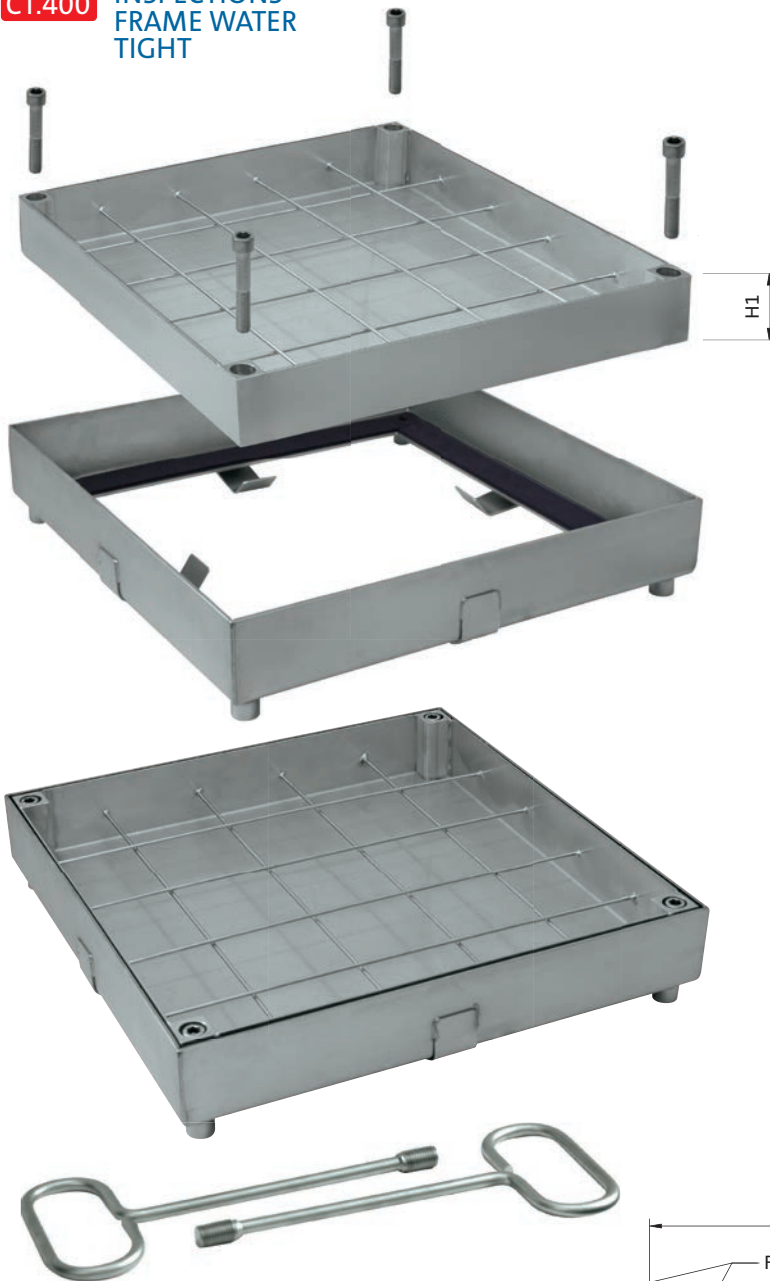
Features

Finish: **Sand-blast**
Available with or without basket, available lower version.

Item	Main Measurements (mm)					Capacity (Kg)		Outlet capacity
	ØA	B	ØC	ØD	E	Concentrated load	Distributed load	Lt/min.
P037	260	145	220	$\frac{101,6}{110}$	60	1600	8000	160

CT.400

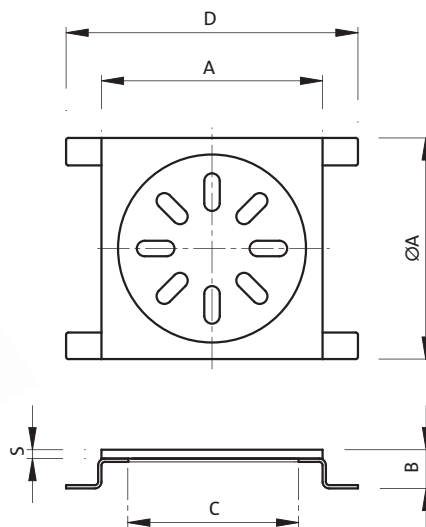
**INSPECTIONS
FRAME WATER
TIGHT**



Application with GULLY 200x200

Item	Main Measurements (mm)				Capacity (Kg)
	AxA	BxB	H1	H2	Concentrated load track of wheels 150x150
CT.300	300x300	400x400	72	80	Kg. 5400
CT.400	400x400	500x500	72	80	Kg. 3600
CT.500	500x500	600x600	72	80	Kg. 2400
CT.600	600x600	700x700	72	80	Kg. 1500
CT.700	700x700	800x800	72	80	Kg. 1200
CT.800	800x800	900x900	72	80	Kg. 900

ISP.12x12 LIGHT INSPECTIONS



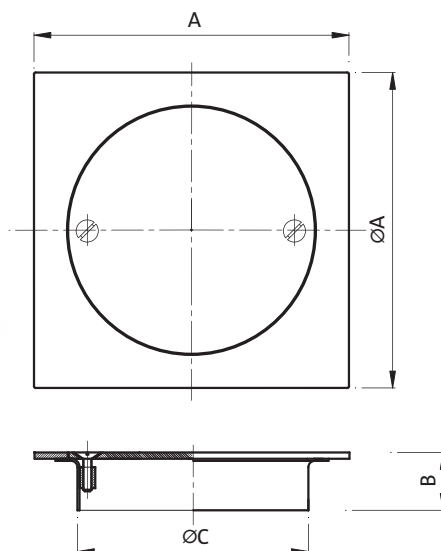
Features
Finish: **Sand-blast**



Example of multi-holes cover

Item	Main Measurements (mm)				
	A	B	ØC	D	S
ISP 10x10	100x100	20	80	130	4
ISP 12x12	125x125	20	100	155	4
ISP 15x15	150x150	20	120	180	4

ISP.3x3 INSPECTIONS GULLIES



Features
Finish: **Sand-blast** .
Cover fastened with a screw.



Also available anti-skid version

Item	Main Measurements (mm)			Capacity (Kg)	
	A	B	ØC	Concentrated load	Distributed load
ISP 2x2	200	100	154	1000	5000
ISP 3x3	300	100	215	1000	4000
ISP 4x4	400	100	315	900	3500
ISP 5x5	500	100	425	800	3000
ISP 6x6	600	100	495	600	2500

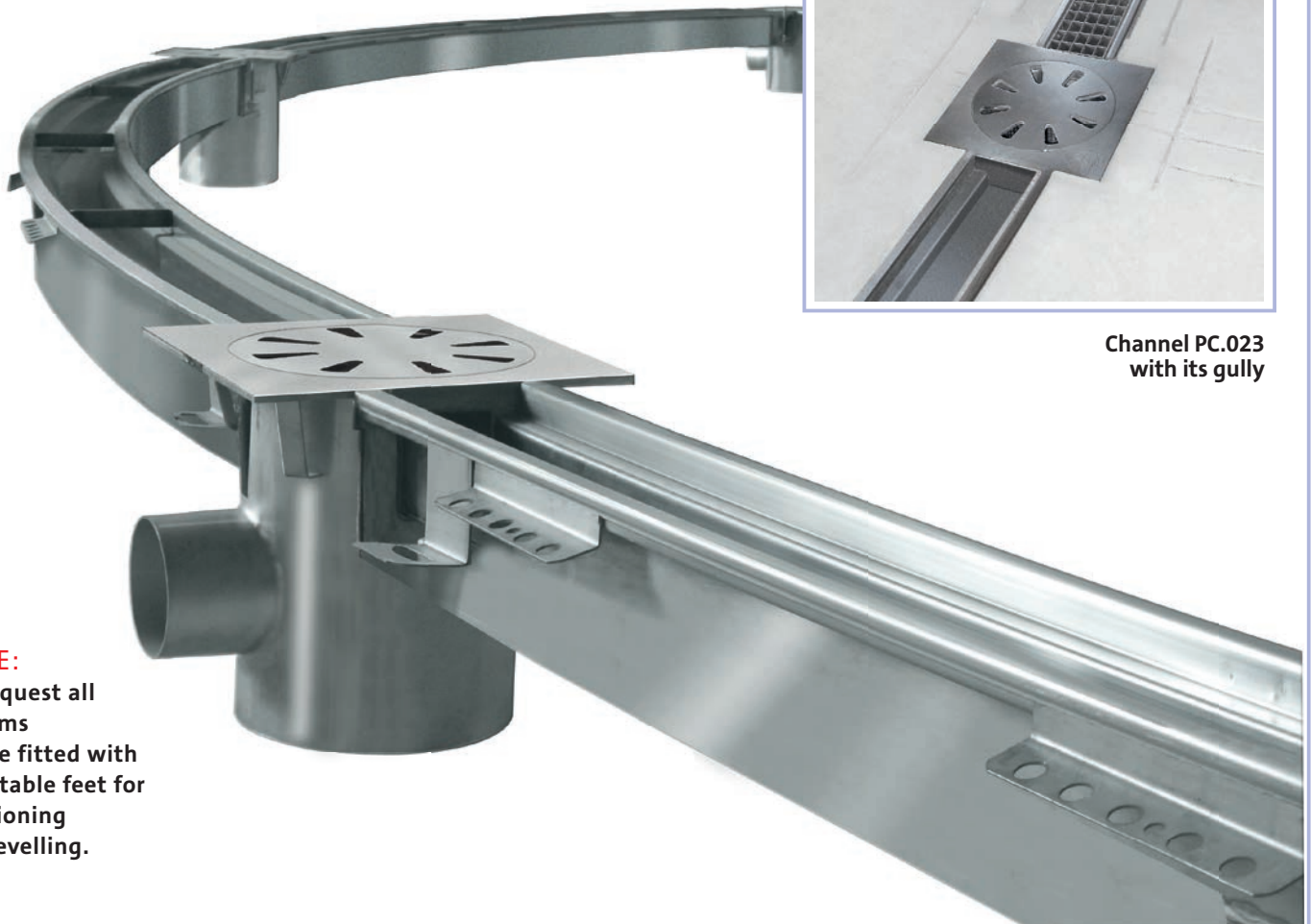


Our company always gives priority to meeting fully the needs of our clients, and for this reason during the course of the last few years in responding to them we have been able to develop specific products, as in this case, channels with a curvilinear profile.

There are no reference parameters as each type of channel is capable of being individually shaped.



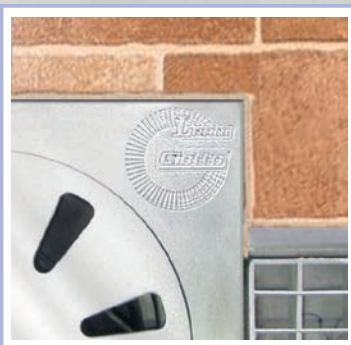
**Channel PC.023
with its gully**



NOTE:
On request all systems can be fitted with adjustable feet for positioning and levelling.



Example of PC.001 channel and PC110 channel with related gully



® Registered trade mark

PC.001

The "Leoni" slot channels is the ideal solution for the drainage of industrial flooring of all types. Manufactured entirely of AISI 304 stainless steel (or AISI 316 on request), combined with 300 x 300 mm collection gullies they are easily washed and inspected and the aspects of hygiene and cleanliness are provided for in compliance with Community regulations. Protection from sewerage discharge is ensured by an anti-smell siphon and by a removable filter basket.

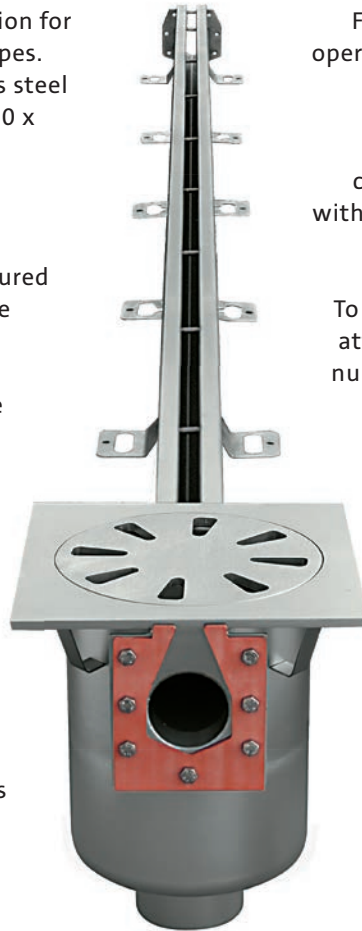
Their structure, thanks also to the special cramps for anchoring in concrete make the channel especially tough in situations with high levels of flow-rate.

The construction of these systems is carried out completely in accordance with the requirements of the customer with one of our support technicians; in fact every quotation will be provided with its associated drawing showing the principal technical characteristics. In the event that the supply is for large quantities the various modules can be supplied in lengths of 6.00 mt.

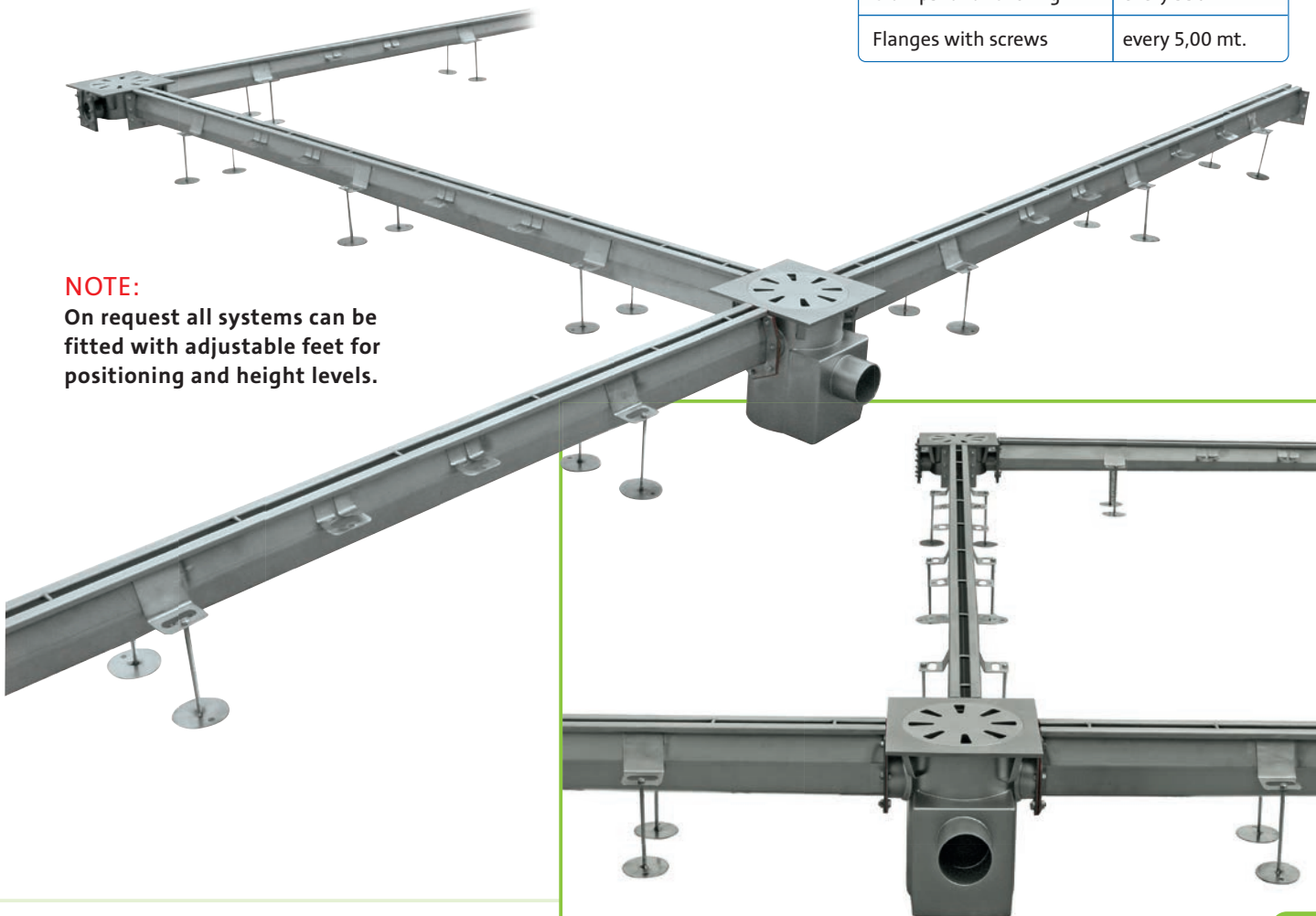
For small supplies, to optimise the transport operations, the various pieces can be assembled into maximum lengths of 4.00 mt.

The assembly of the various gullies and the channels is provided for by means of flanges with silicon seals that are secured with bolts to ensure that they remain water-tight.

To facilitate the installation, a drawing will be attached to the material showing a system of numbering for installation of the pieces in the correct sequence.



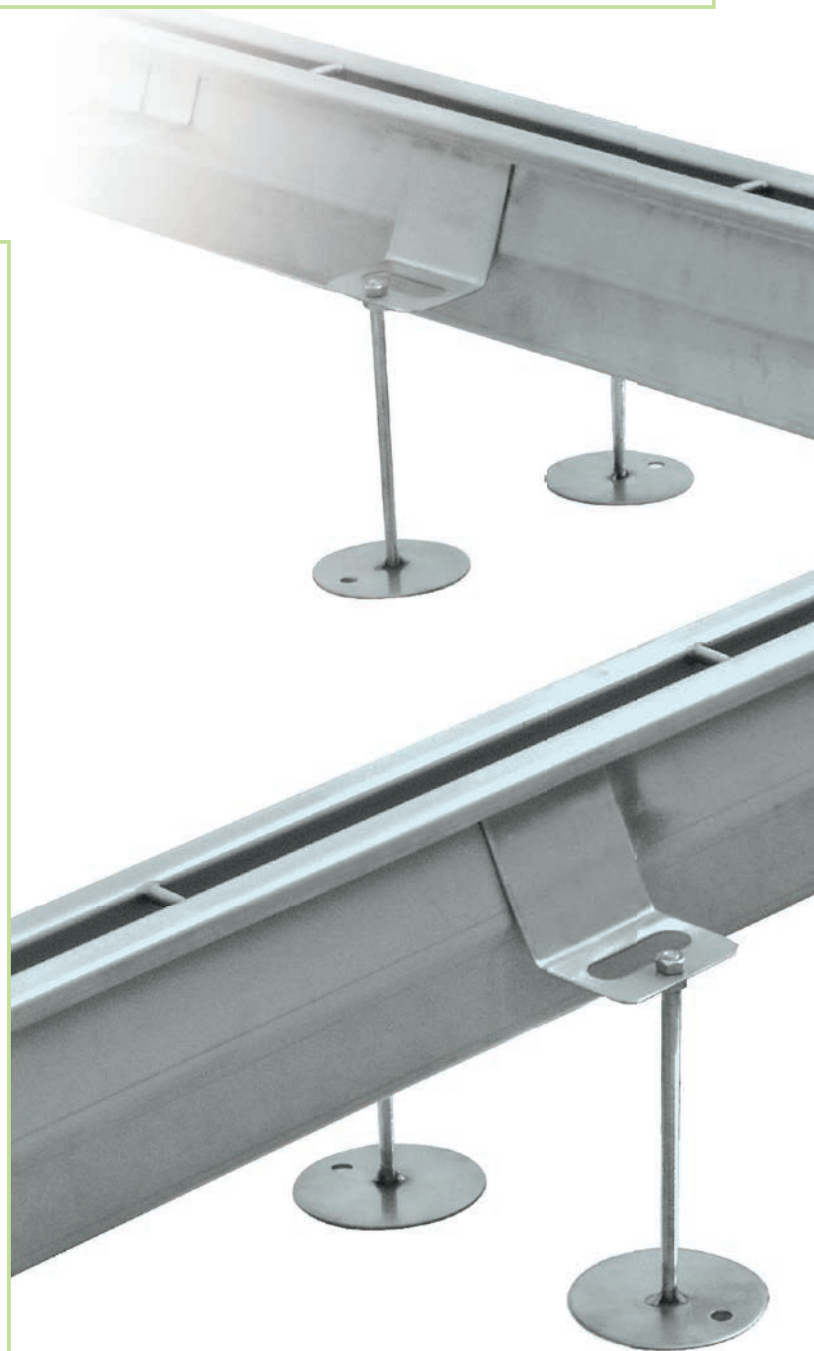
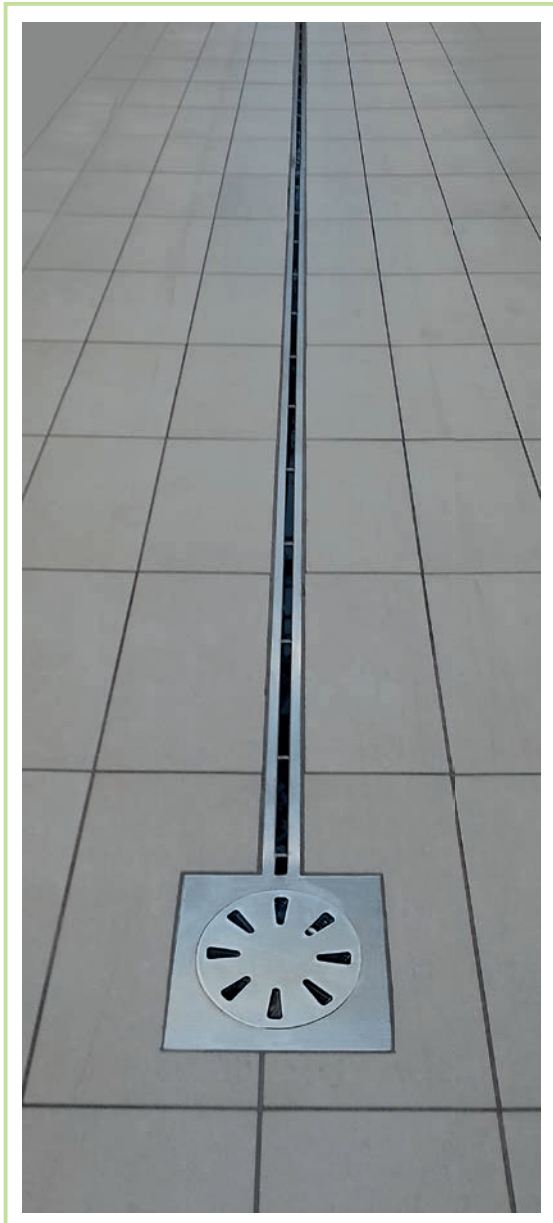
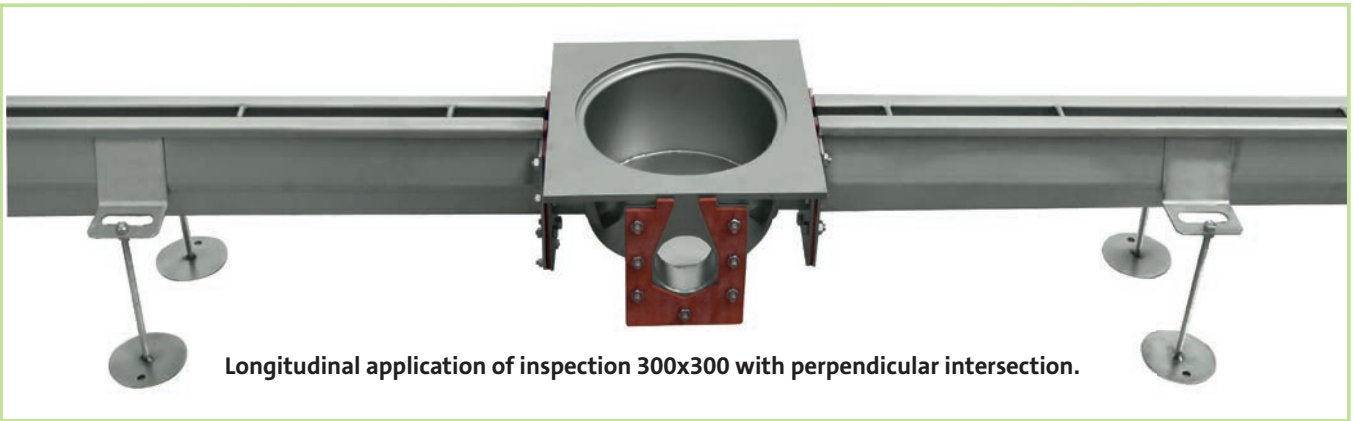
Main features	
Channel width	70mm
Channels slot	18mm
Thickness of material	2mm (3mm on request)
Drainage slope	0,5% (5mm per linear metre)
Minimum height Maximum height	70mm 220mm (30 metri)
Max. transport length	5,00 mt.
Spacing rods	every 330mm
Cramps for anchoring	every 330mm
Flanges with screws	every 5,00 mt.

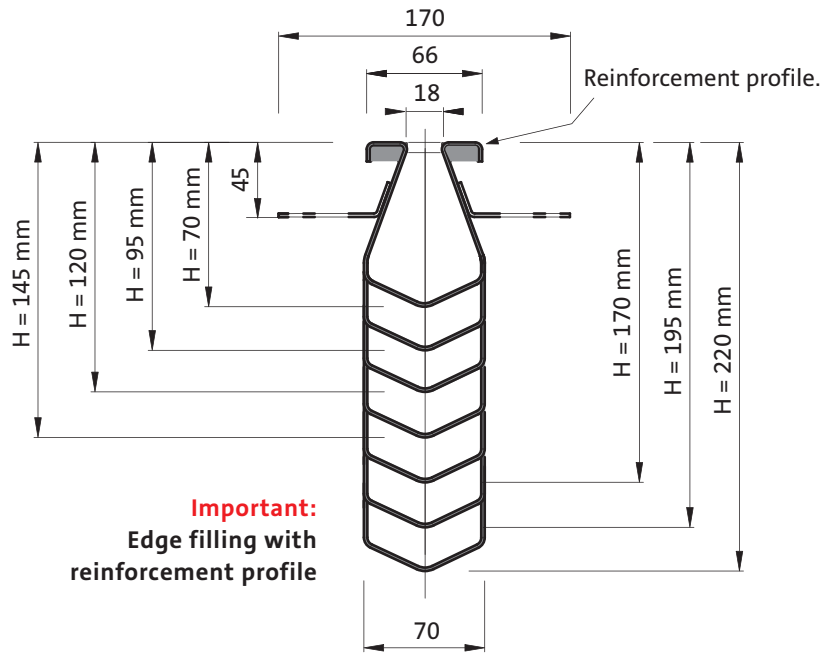


NOTE:

On request all systems can be fitted with adjustable feet for positioning and height levels.

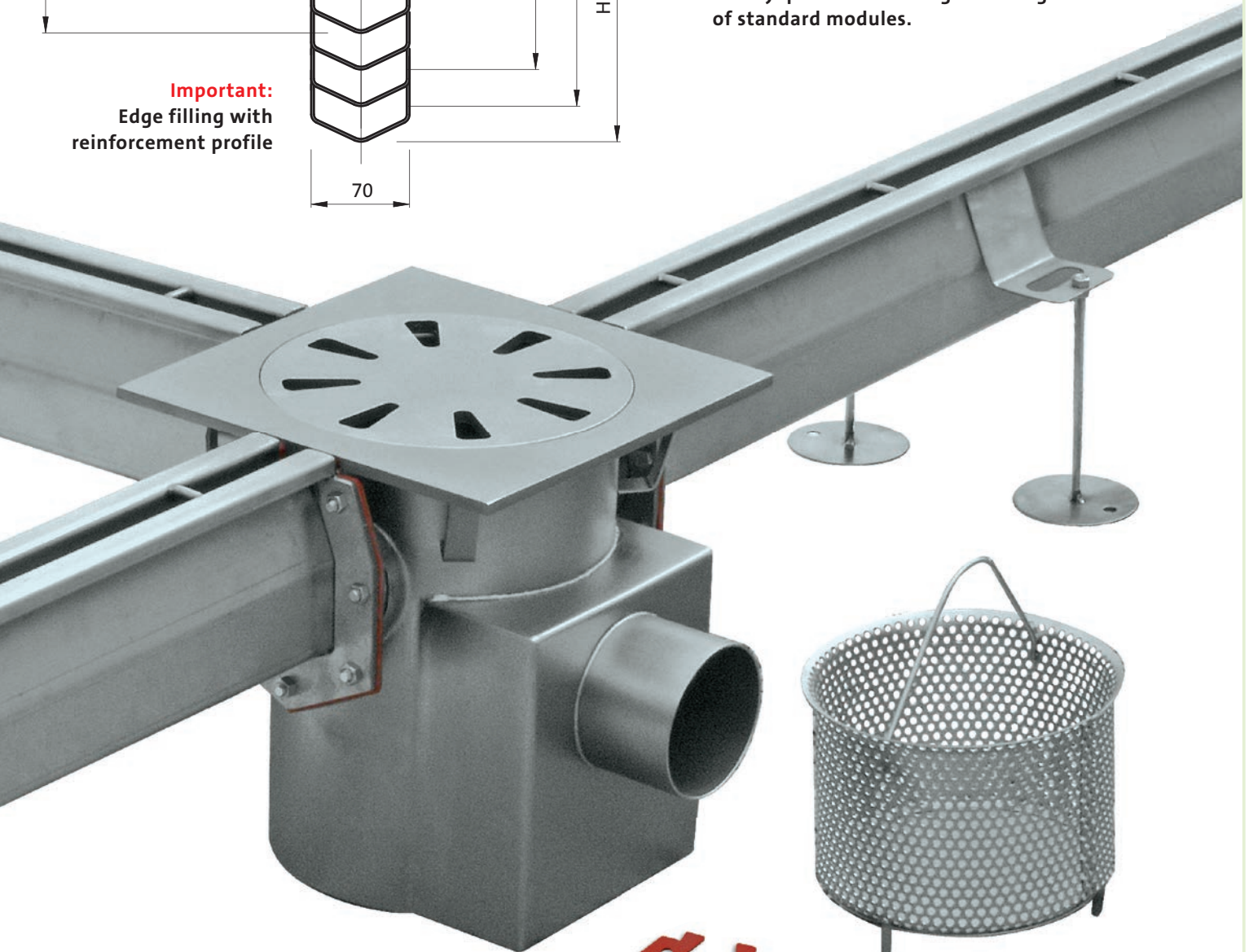
PC.001





Section of the channel with a sequence of the variation of the slope up to 30.00 mt; the heights are with reference to module lengths of 5.00 mt. Obviously in the warehouse there are modules with lengths other than 5.00 mt. For example, 1.00 mt, 1.50 mt, 2.00 mt, 2.50 mt, 3.00 mt, 3.50 mt, 4.00 mt, and 4.50 mt.

NOTE: Work is regularly carried out with totally personalised lengths taking no account of standard modules.



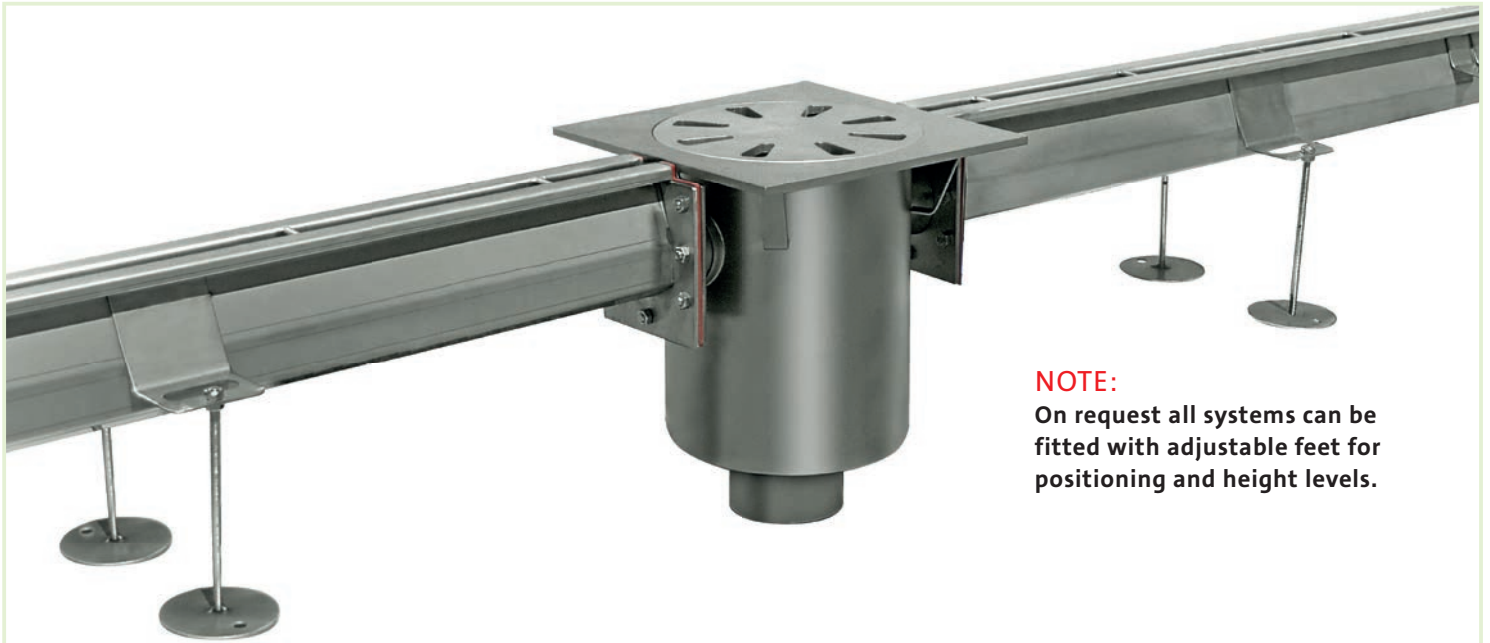
NOTE:
On request all systems can be fitted with adjustable feet for positioning and height levels.

Stainless steel bolts and screws.



Key for mounting

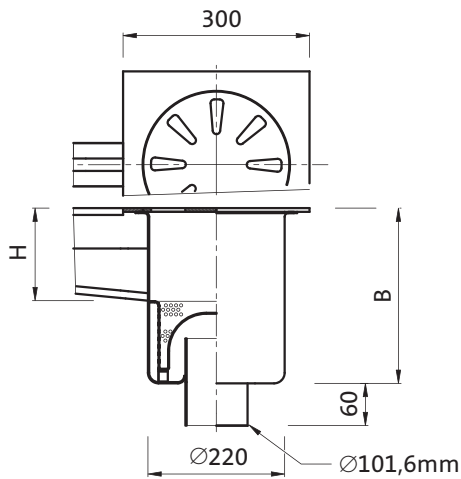
Silicon seals for flanges.



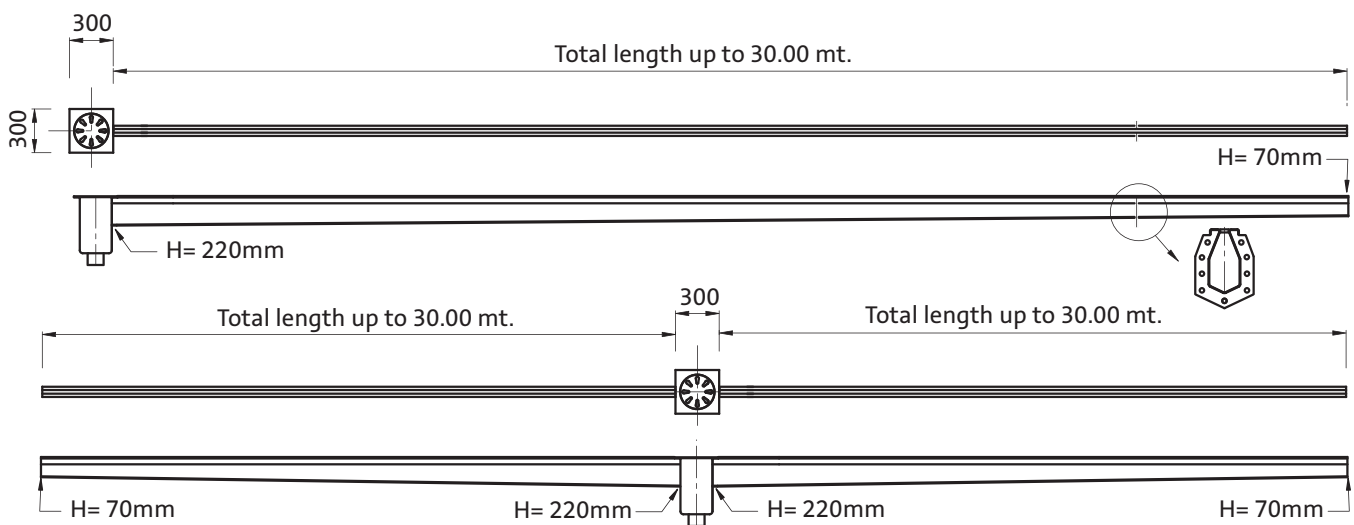
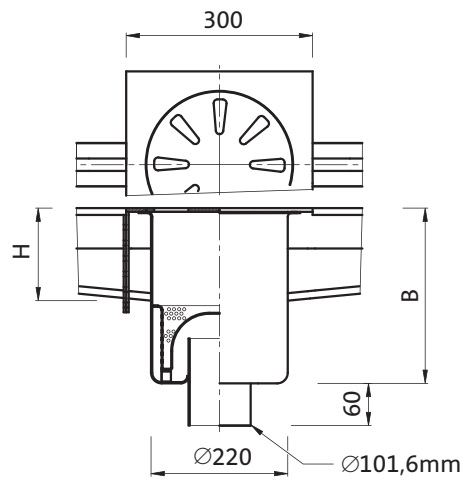
NOTE:

On request all systems can be fitted with adjustable feet for positioning and height levels.

PC.002V GULLY SINGLE CONNECTION WITH VERTICAL DISCHARGE



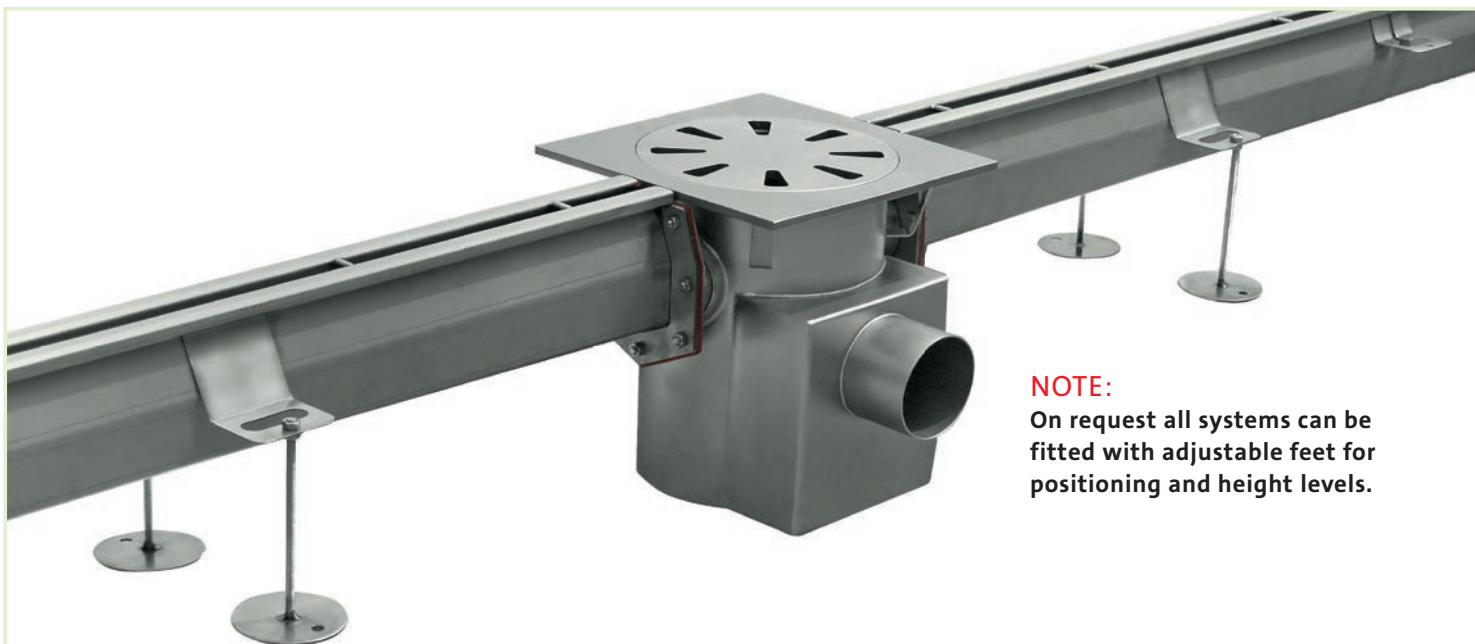
PC.003V GULLY DOUBLE CONNECTION WITH VERTICAL DISCHARGE



NOTE:

All systems are produced in accordance with the requirements of the customer, hence parameters such as length and position of the discharges are not binding.

Channel length	Channel height "H" on the gully	Size "B"
Up to MT. 5,00	95mm	265mm
From MT. 5 to MT. 10	120mm	290mm
From MT. 10 to MT. 15	145mm	315mm
From MT. 15 to MT. 20	170mm	340mm
From MT. 20 to MT. 25	195mm	365mm
From MT. 25 to MT. 30	220mm	390mm

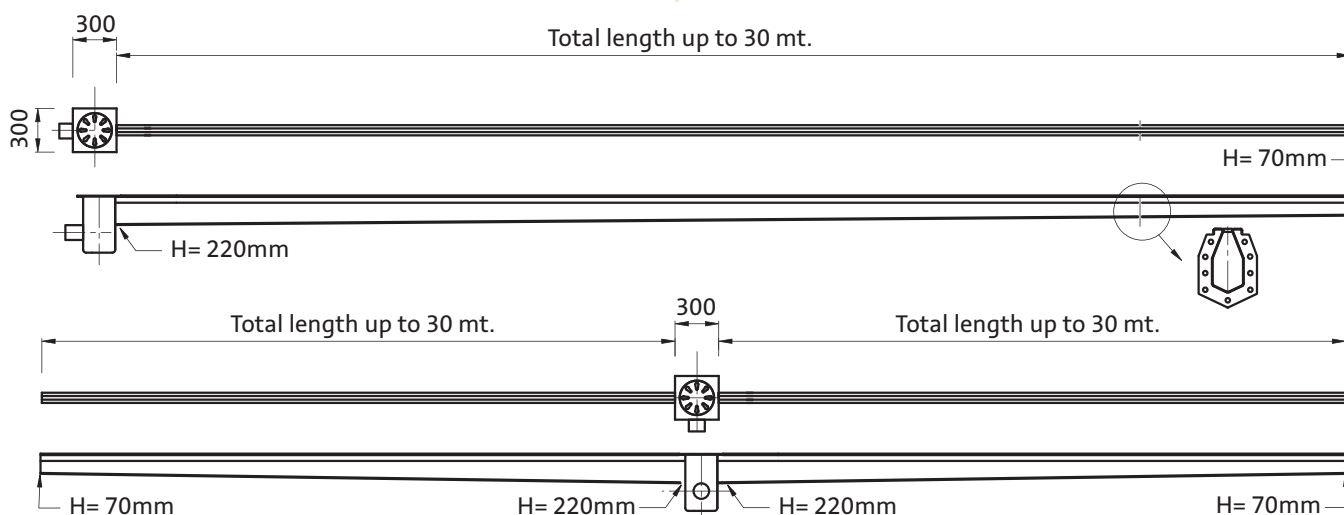
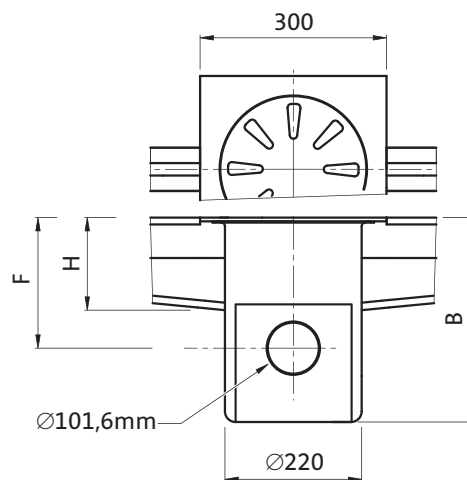
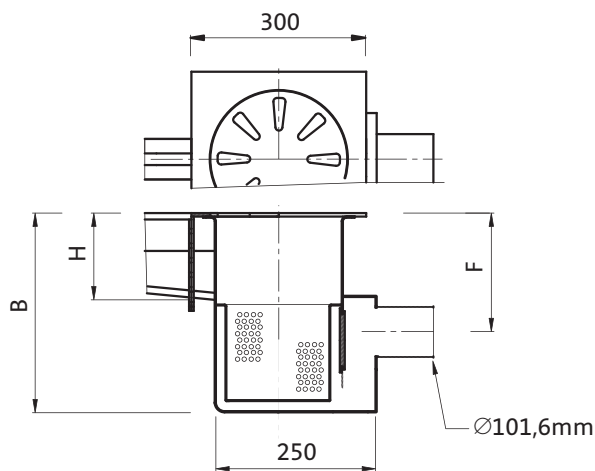


NOTE:

On request all systems can be fitted with adjustable feet for positioning and height levels.

PC.002L GULLY WITH SINGLE CONNECTION FOR CHANNEL, HORIZONTAL DISCHARGE.

PC.003L GULLY WITH DOUBLE CONNECTION FOR CHANNEL, HORIZONTAL DISCHARGE.



NOTE:

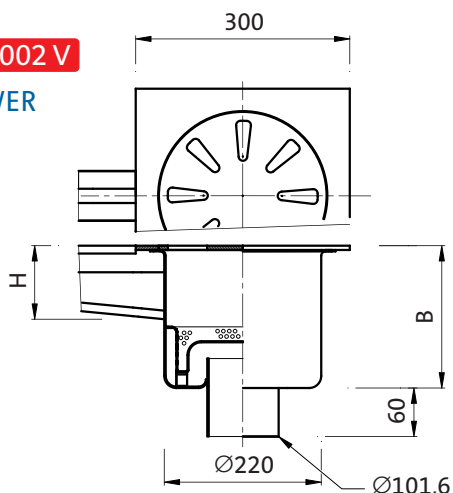
All systems are produced in accordance with the requirements of the customer, hence parameters such as length and position of the discharges are not binding.

Channel length	Channel height "H" on the gully	Size "B"	Middle discharge depth "F"
Up to MT. 5,00	95mm	280mm	130mm
From MT. 5 to MT. 10	120mm	305mm	155mm
From MT. 10 to MT. 15	145mm	330mm	180mm
From MT. 15 to MT. 20	170mm	355mm	205mm
From MT. 20 to MT. 25	195mm	380mm	230mm
From MT. 25 to MT. 30	220mm	405mm	255mm

Especially for situations with problems of height on the footings it is possible to opt for lower gullies both with vertical or horizontal discharges, sizeable according to the length of the channel.

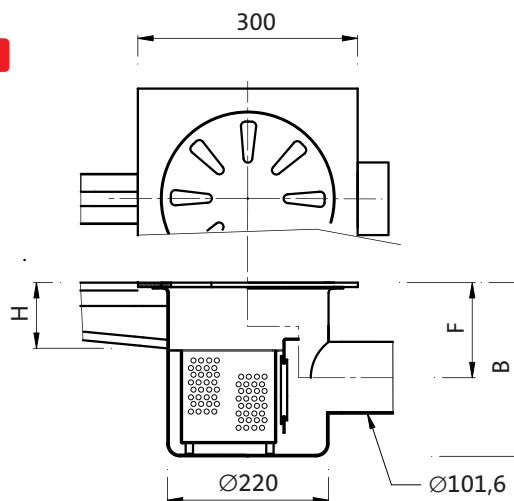
PC.002 V

LOWER



PC.002 L

LOWER



NOTE:
Example of gullies with the least depth achievable for channels with lengths of up to 5.00 mt and 10.00 mt.



NOTE:

If necessary is possible to do more low.

Channel length	Channel height "H" on the gully	Size "B"
Up to MT. 5,00	95mm	210mm
From MT. 5 to MT. 10	120mm	235mm

Channel length	Channel height "H" on the gully	Size "B"	Middle discharge depth "F"
Up to MT. 5,00	95mm	230mm	100mm
From MT. 5 to MT. 10	120mm	255mm	125mm

APPLICATIONS



Slot channel with application of only outlet pipe



Detail of gully with double connection



Application into slot channel of inspection 300x300 welded in corner of 90°



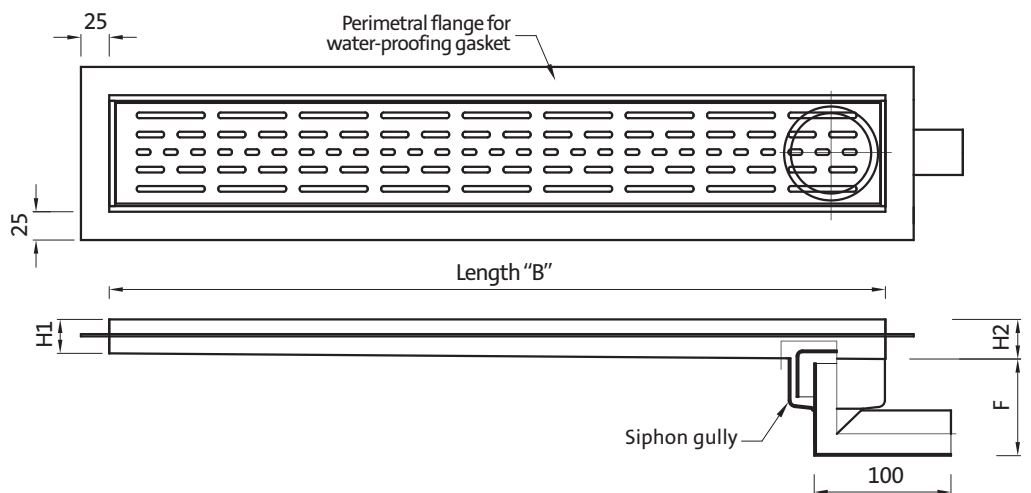
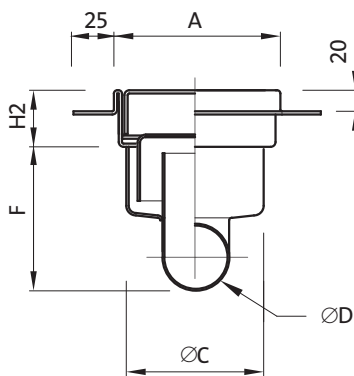
NOTE:

It is possible to turn the discharge pipe through 360°. If you wish to reduce the depth of the point of discharge, this can be done by fitting just the pipe and eliminating the U-trap



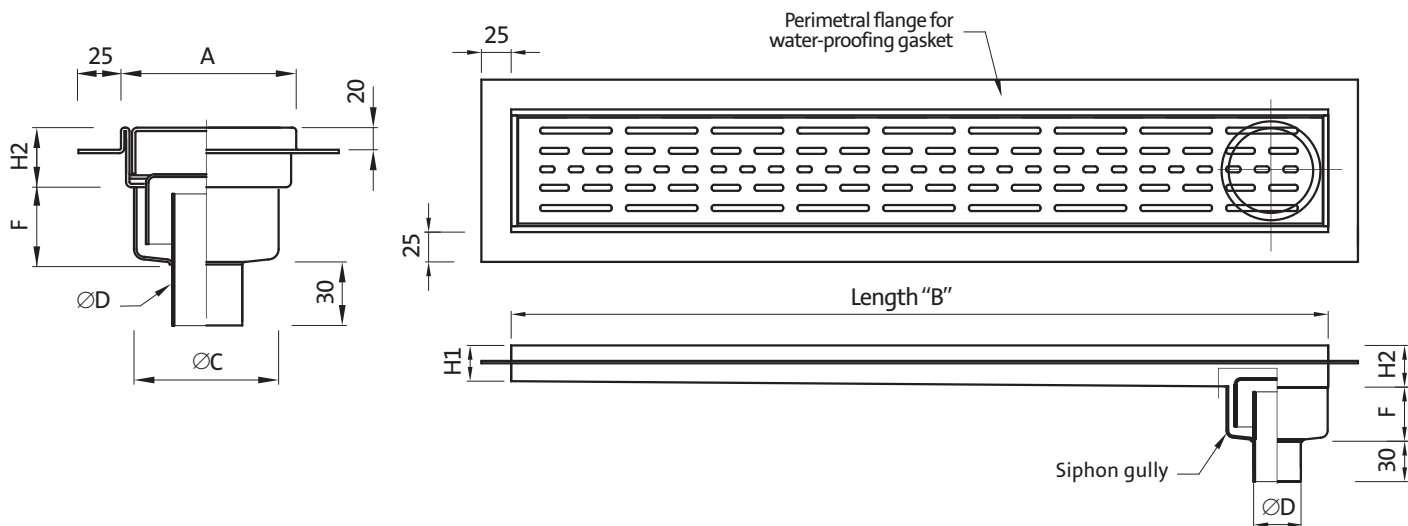
Designed for water drainage from all kinds of shower areas, for private use rather than in spas, fitness centres or sports facilities.

Manufactured in 2mm thick AISI 304 (or AISI 316) stainless steel, they are fitted with flanges along the perimeter to enable a perfect seal to the water-proofing gasket. The cover can be tailored as can the length and the positioning of the discharges. The standard dimensions are shown in the table.



Main Measurements (mm)						
Cod.	dim "A"x "B"	Alt. "H1"	Alt. "H2"	ØC	F	ØD
CDC.13400L	130x400mm	25	30	110	110	Ø50mm
CDC.13500L	130x500mm	25	30	110	110	Ø50mm
CDC.13600L	130x600mm	25	30	110	110	Ø50mm
CDC.13700L	130x700mm	25	30	110	110	Ø50mm
CDC.13800L	130x800mm	25	30	110	110	Ø50mm
CDC.13900L	130x900mm	25	30	110	110	Ø50mm
CDC.131000L	130x1000mm	25	30	110	110	Ø50mm

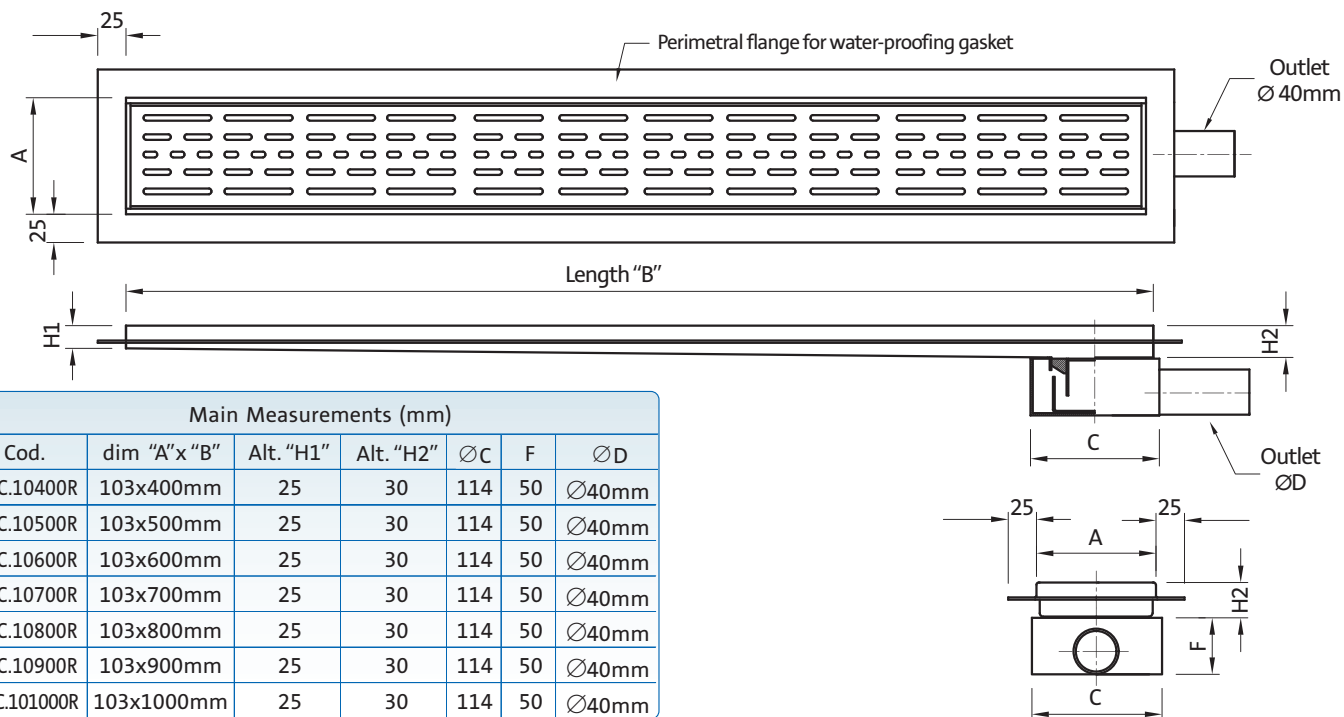
Main Measurements (mm)						
Cod.	dim "A"x "B"	Alt. "H1"	Alt. "H2"	ØC	F	ØD
CDC.10400L	103x400mm	25	30	85	95	Ø40mm
CDC.10500L	103x500mm	25	30	85	95	Ø40mm
CDC.10600L	103x600mm	25	30	85	95	Ø40mm
CDC.10700L	103x700mm	25	30	85	95	Ø40mm
CDC.10800L	103x800mm	25	30	85	95	Ø40mm
CDC.10900L	103x900mm	25	30	85	95	Ø40mm
CDC.101000L	103x1000mm	25	30	85	95	Ø40mm



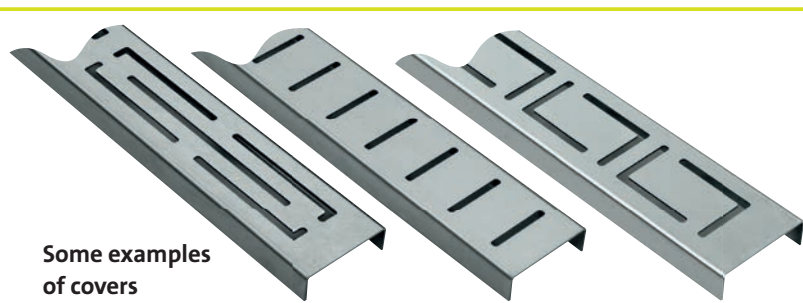
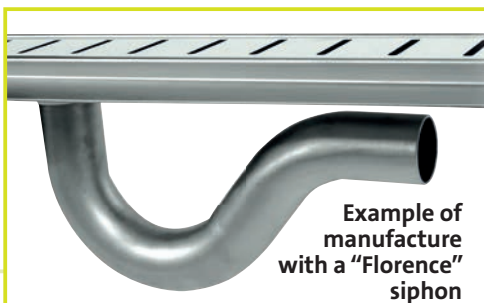
Main Measurements (mm)						
Cod.	dim "A"x "B"	Alt. "H1"	Alt. "H2"	ØC	F	ØD
CDC.13400V	130x400mm	25	30	110	57	Ø50mm
CDC.13500V	130x500mm	25	30	110	57	Ø50mm
CDC.13600V	130x600mm	25	30	110	57	Ø50mm
CDC.13700V	130x700mm	25	30	110	57	Ø50mm
CDC.13800V	130x800mm	25	30	110	57	Ø50mm
CDC.13900V	130x900mm	25	30	110	57	Ø50mm
CDC.131000V	130x1000mm	25	30	110	57	Ø50mm

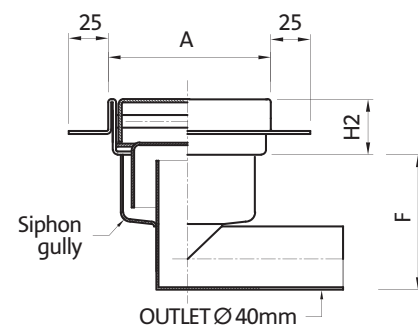
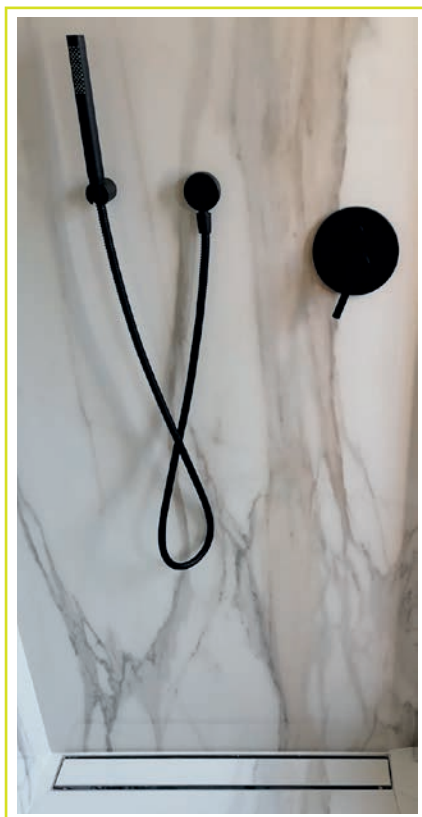
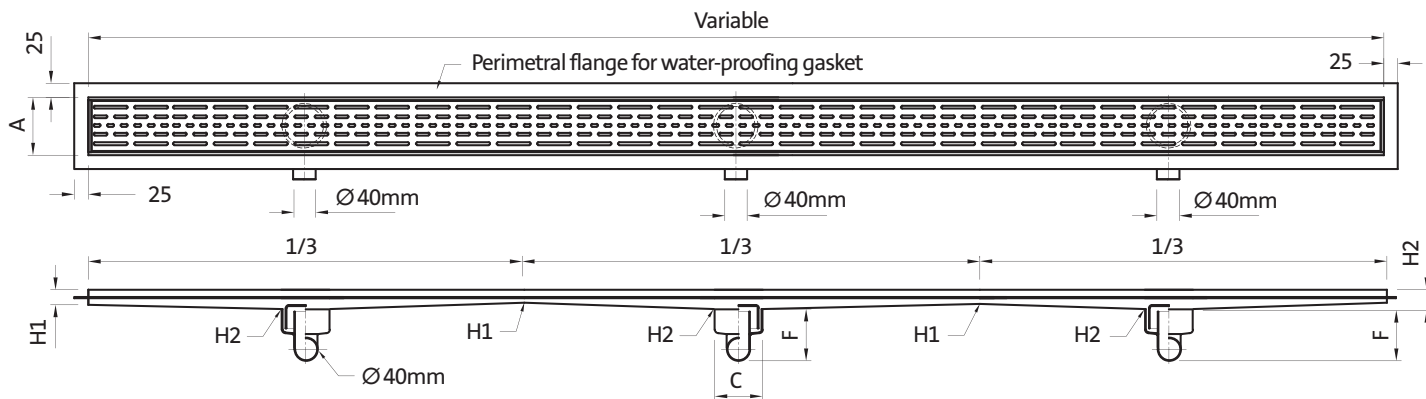
Main Measurements (mm)						
Cod.	dim "A"x "B"	Alt. "H1"	Alt. "H2"	ØC	F	ØD
CDC.10400V	103x400mm	25	30	85	45	Ø40mm
CDC.10500V	103x500mm	25	30	85	45	Ø40mm
CDC.10600V	103x600mm	25	30	85	45	Ø40mm
CDC.10700V	103x700mm	25	30	85	45	Ø40mm
CDC.10800V	103x800mm	25	30	85	45	Ø40mm
CDC.10900V	103x900mm	25	30	85	45	Ø40mm
CDC.101000V	103x1000mm	25	30	85	45	Ø40mm

CANNELS FOR SHOWERS LOWER VERSION



Main Measurements (mm)						
Cod.	dim "A"x "B"	Alt. "H1"	Alt. "H2"	ØC	F	ØD
CDC.10400R	103x400mm	25	30	114	50	Ø40mm
CDC.10500R	103x500mm	25	30	114	50	Ø40mm
CDC.10600R	103x600mm	25	30	114	50	Ø40mm
CDC.10700R	103x700mm	25	30	114	50	Ø40mm
CDC.10800R	103x800mm	25	30	114	50	Ø40mm
CDC.10900R	103x900mm	25	30	114	50	Ø40mm
CDC.101000R	103x1000mm	25	30	114	50	Ø40mm





Some examples of cover with floor.

With channels CDC 103/130, in addition to those shown in the table, customized versions can be produced with a total length up to MT. 4,00. The application of multiple gullies is expected to adapt the evacuation capacity of the water. Length, position and direction of the gullies can be chosen by the customer. Available also with lower gullies.

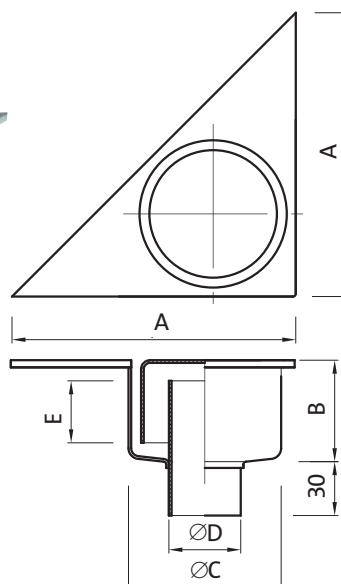
SHOWER WASTE

P.062D



Features

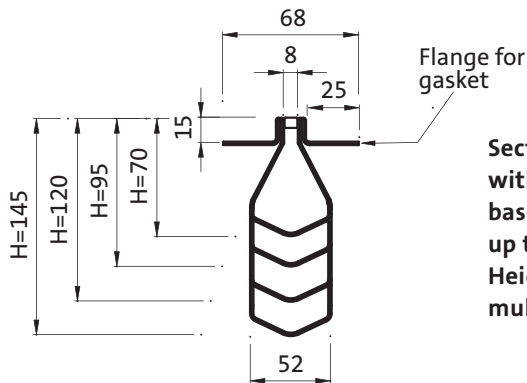
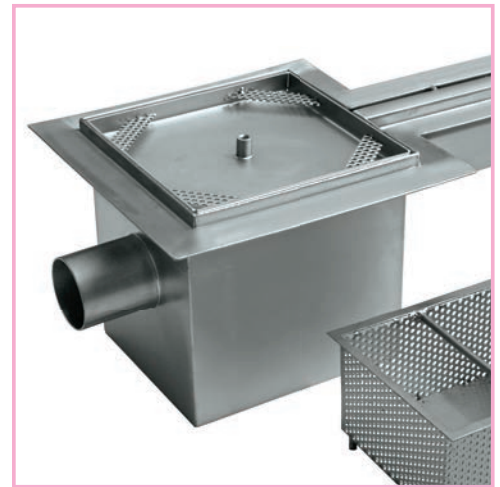
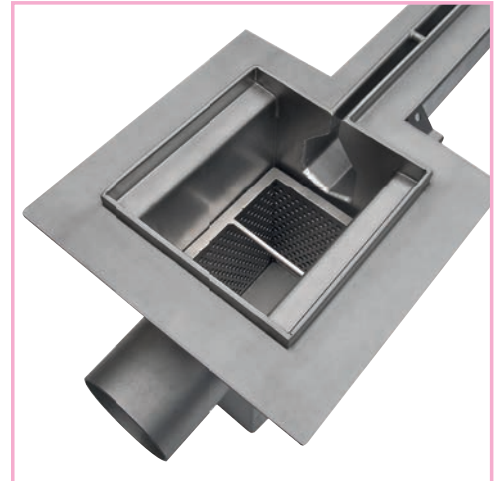
Finish: **Sand-blast**
 Also in reduced height version, option of side discharge.



Item	Main Measurements (mm)					Outlet capacity Lt/min.
	ØA	B	ØC	ØD	E	
P.062D	155	56	85	40	33	20
P.070D	230	75	126	50	33	38

PC.110

Channels designed specifically for swimming pools, changing rooms, shower rooms; the discharge of water takes place through a narrow slot of up to 8 mm. They are constructed in AISI 304 but especially also in AISI 316 for use in environments with high levels of chlorine. Their constructional form with perimeter wings makes it possible to secure the insulating material in the ideal way. The inspection gullies have a siphon and are equipped with a filter basket. The assembly of the various gullies and the channels is provided for by means of flanges with silicon seals that are secured with bolts to ensure that they remain water-tight. Even in this instance parameters such as length, height, position of the discharges, can be varied depending on individual requirements. To facilitate the installation, the materials are provided with a drawing showing a system of numbering for installation of the pieces in the correct sequence.



Section of the channel with sequence of slopes based on lengths of up to 15.00 metres. Heights relate to multiples of 5 metres.

NOTE:

On request all systems can be fitted with adjustable feet for positioning and height levels.

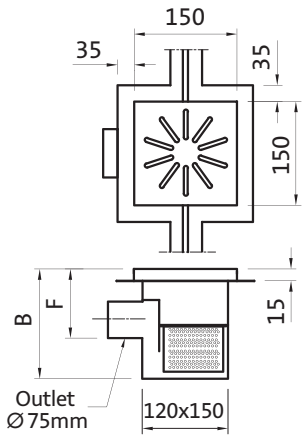
Gully cover version for flooring



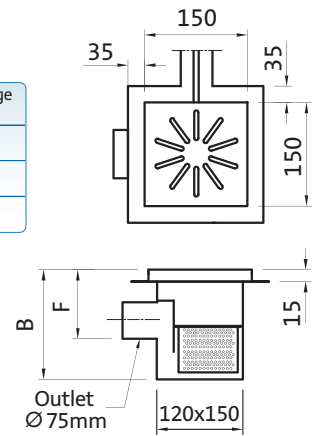
Main Features	
Channel width	18mm
Channel slot	8mm
Thickness of material	1,5mm (3mm on request)
Drainage slope	0,5% (5mm per linear metre)
Minimum height	70mm
Maximum height	145mm (15 metres)
Max. transport length	5,00 mt.
Spacing rods	every 500mm
Cramps for anchoring	every 330mm
Flanges with screws	Max every 5,00 mt.

PC.113L GULLY WITH DOUBLE CONNECTION FOR CHANNEL, HORIZONTAL DISCHARGE

PC.112L GULLY WITH SINGLE CONNECTION FOR CHANNEL, HORIZONTAL DISCHARGE

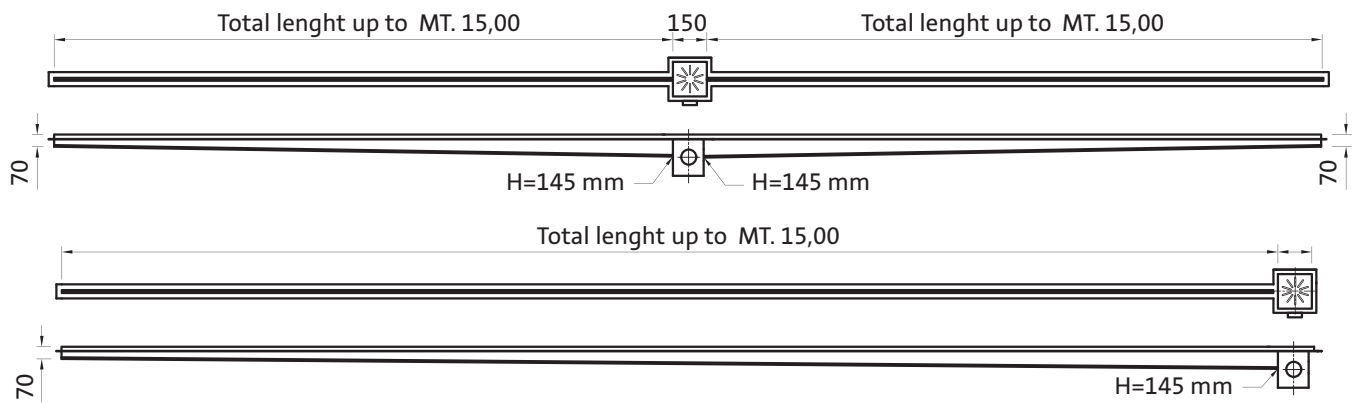


Channel length	Channel height "H" on the gully	Size "B"	Middle discharge depth "F"
Up to MT. 5,00	95mm	250mm	150mm
From MT. 5 to MT. 10	120mm	250mm	150mm
From MT. 10 to MT. 15	145mm	250mm	150mm



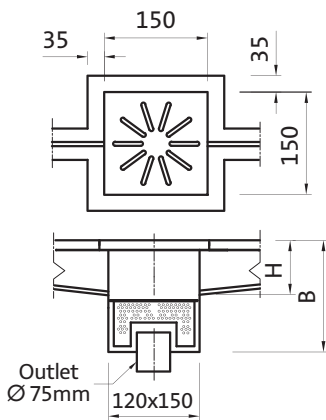
NOTE:

All systems are produced in accordance with the requirements of the customers, hence parameters such as length and position of the discharge are not binding.



PC.113V GULLY WITH DOUBLE CONNECTION FOR CHANNEL, VERTICAL DISCHARGE

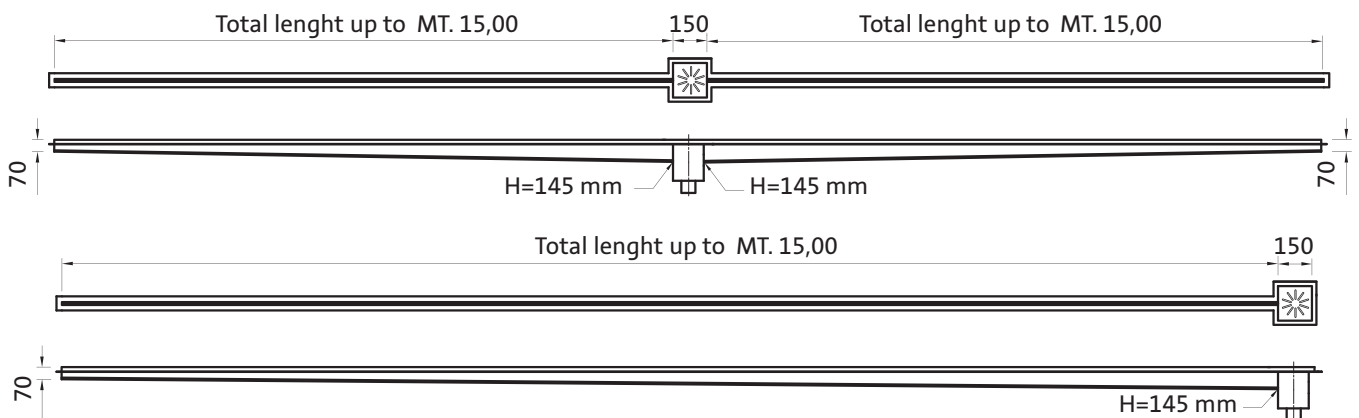
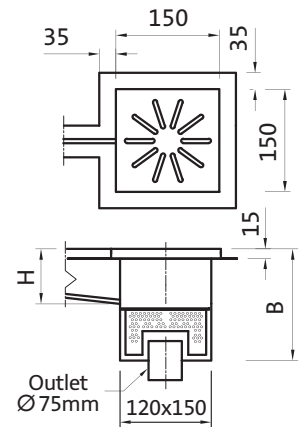
PC.112V GULLY WITH SINGLE CONNECTION FOR CHANNEL, VERTICAL DISCHARGE



Channel length	Channel height "H" on the gully	Size "B"
Up to MT. 5,00	95mm	250mm
From MT. 5 to MT. 10	120mm	250mm
From MT. 10 to MT. 15	145mm	250mm

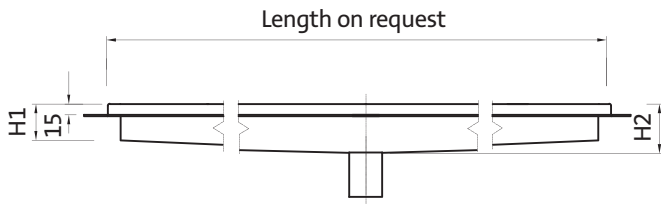
NOTE:

All systems are produced in accordance with the requirements of the customers, hence parameters such as length and position of the discharge are not binding.

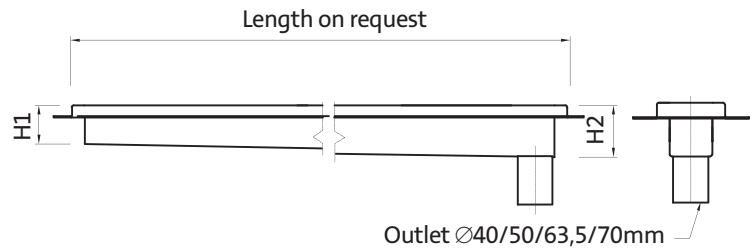


EXECUTIONS DRAWINGS

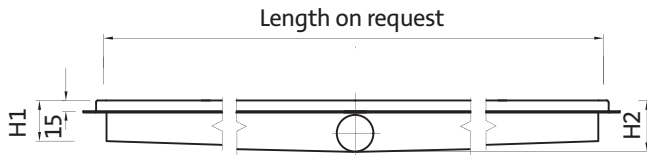
CENTRAL VERTICAL DISCHARGE



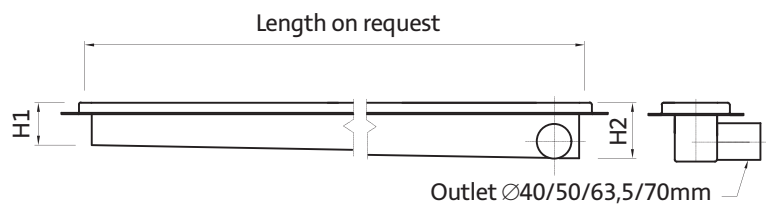
FINAL VERTICAL DISCHARGE



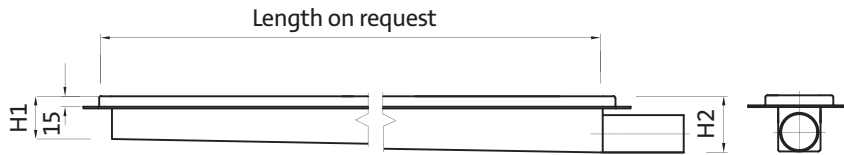
CENTRAL HORIZONTAL DISCHARGE



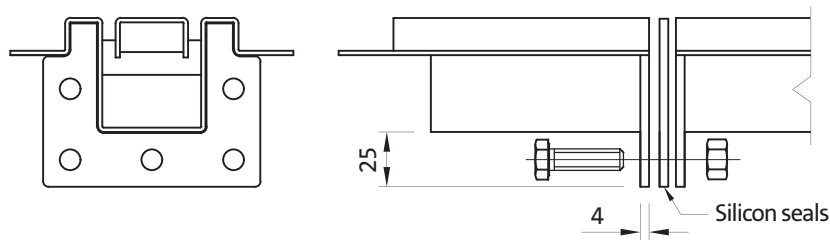
FINAL HORIZONTAL RIGHT/LEFT DISCHARGE



FINAL HORIZONTAL FRONTAL DISCHARGE



JOINTS WITH FLANGES FOR LENGTH UP TO MT.5,00



For the execution of channels with multi discharge with precise positions is necessary to send a layout showing the quotes.

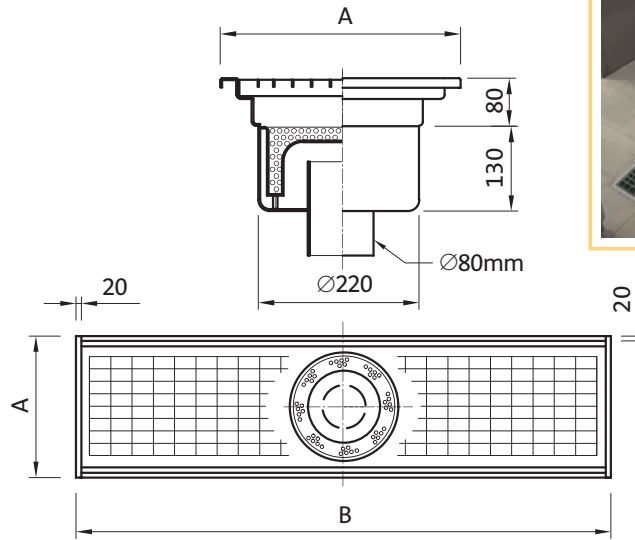
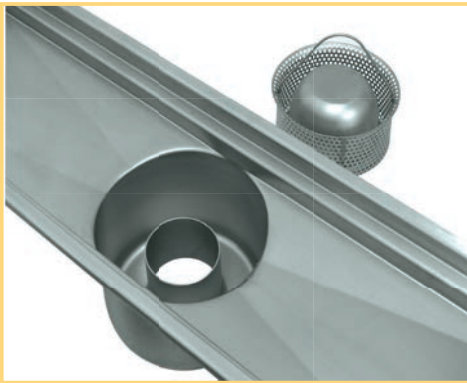
VGR.30100 SV

In AISI 304 (or AISI 316 on request) and made in such a way as to limit the height occupied as much as possible, the completely inspectable discharges, equipped with siphons and filter baskets are perfectly integrated within the channel itself; obviously it is possible to have different sizes from those indicated in the table.

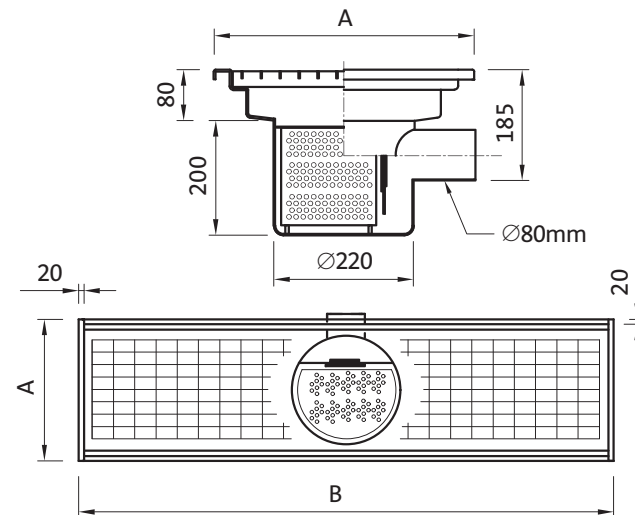
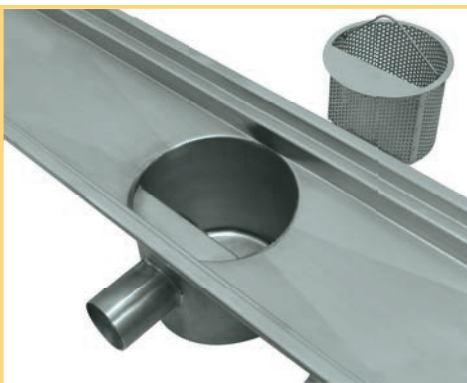
Made especially for the restaurant sector and hence used particularly in kitchens, hotels or large scale distribution meat and fish packing rooms. Being of large size, they allow large quantities of water to be drained, above all, preventing its dispersal over the floor.



VERTICAL DISCHARGE



HORIZONTAL DISCHARGE



NOTE:
Standard grating covers
Height H=25mm
Mesh 22x33mm.
Also with discharge Ø50 -
Ø63,5 - Ø76mm

Cod.	Dim. "A" x "B"
VGR.3050	300x500mm
VGR.30100	300x1000mm
VGR.30150	300x1500mm
VGR.30200	300x2000mm
VGR.30300	300x3000mm

Cod.	Dim. "A" x "B"
VGR.4040	400x400mm
VGR.40100	400x1000mm
VGR.40150	400x1500mm
VGR.40200	400x2000mm
VGR.40300	400x3000mm

Cod.	Dim. "A" x "B"
VGR.5050	500x500mm
VGR.50100	500x1000mm
VGR.50150	500x1500mm
VGR.50200	500x2000mm
VGR.50300	500x3000mm

NOTE:
When ordering, after the code specify the extension
SL=horizontal discharge
SV=vertical discharge
e.g.: VGR.30100 SL, VGR. 30100 SV.

PC.023

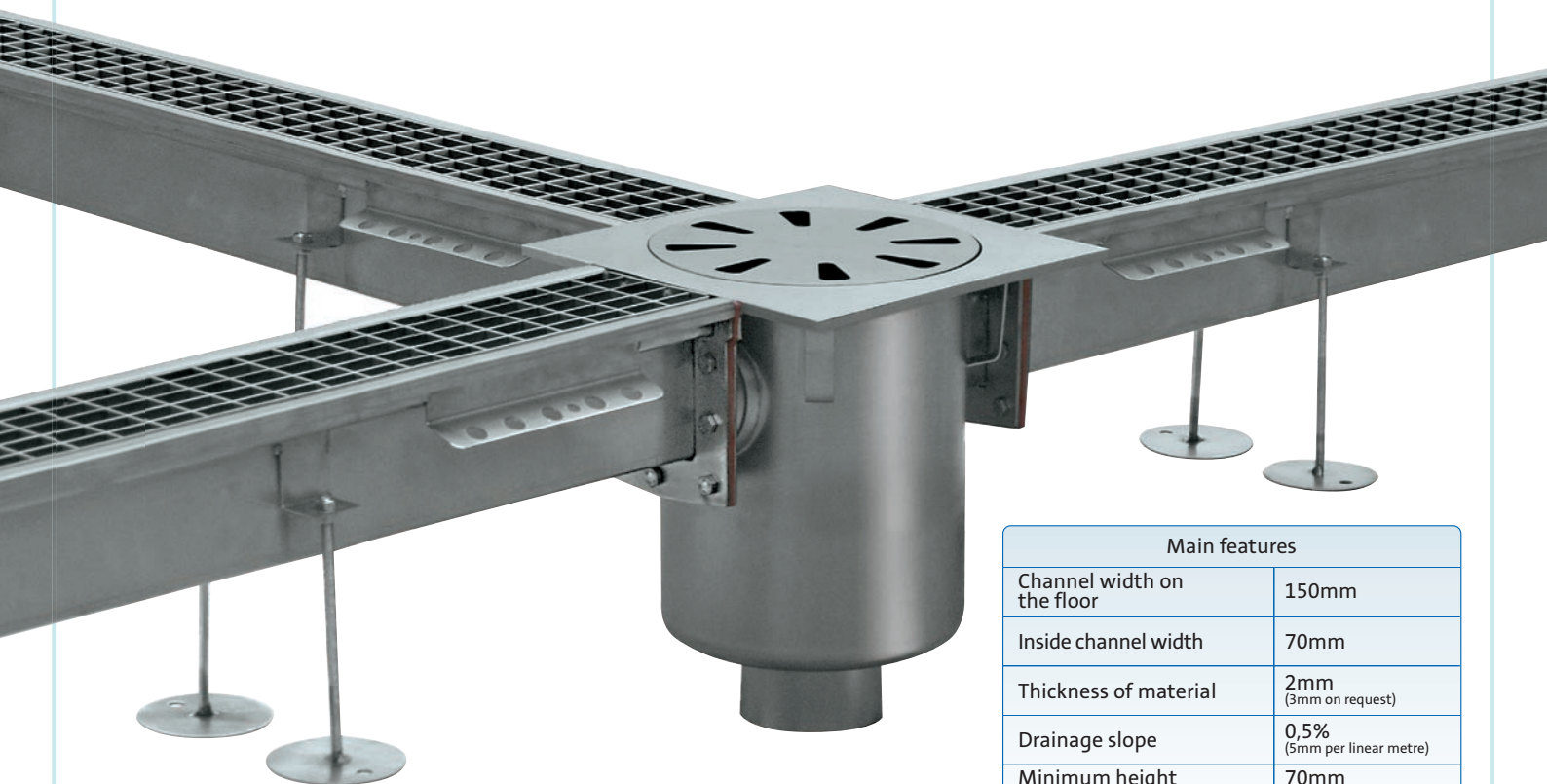
They represent an excellent solution where a channel with a high drainage capacity is called for together with the functionality of a grating cover enabling them to be inspected throughout.

Combined with 300 x 300 mm collection gullies, the same as the PC.001 slot channel systems, they are easily washed and inspected and the aspects of hygiene and cleanliness are provided for in compliance with Community regulations. Protection from sewerage discharge is ensured by an anti-smell siphon and by a removable filter basket.

Constructed in AISI 304 stainless steel (or AISI 316 on request) parameters such as length, height, position of the discharges, can be varied depending on individual requirements.

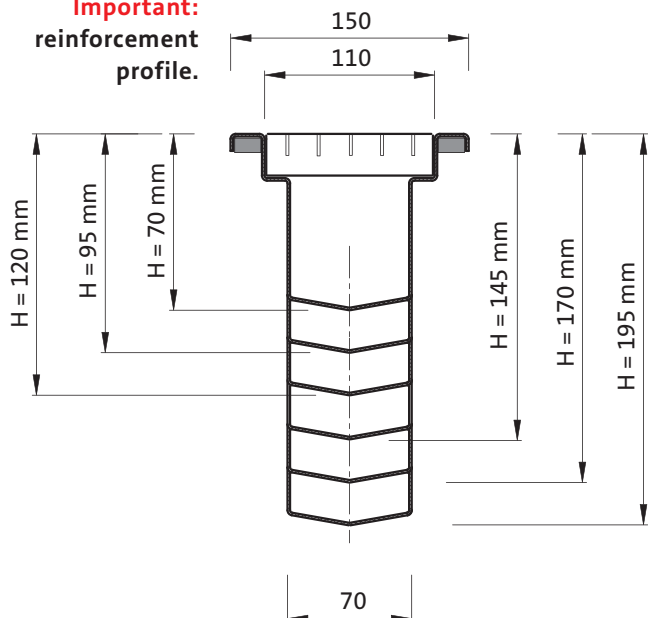
For small supplies, to optimise the transport operations, the various pieces can be assembled into maximum lengths of 4.00 mt.

To facilitate the installation, a drawing will be attached to the material showing a system of numbering for installation of the pieces in the correct sequence.



Main features	
Channel width on the floor	150mm
Inside channel width	70mm
Thickness of material	2mm (3mm on request)
Drainage slope	0,5% (5mm per linear metre)
Minimum height	70mm
Maximum height	195mm (25 mts)
Max. transport length	5,00 mt.
Cramps for anchoring	every 330mm
Flanges with screws	Max 5,00 mt.

Important:
reinforcement
profile.



Section of the channel with a sequence of the variation of the slope up to 25.00 mt; the heights are with reference to module lengths of 5.00 MT. From MT. 1,00, MT. 1,50, MT. 2,00, MT. 2,50, MT. 3,00, MT. 3,50, MT. 4,00, MT. 4,50.

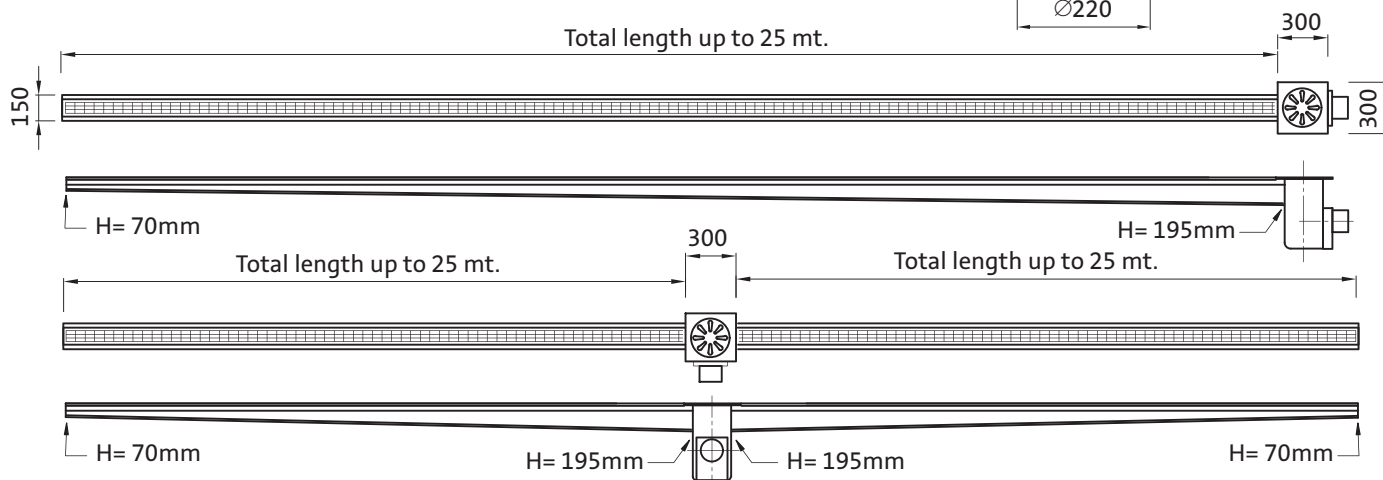
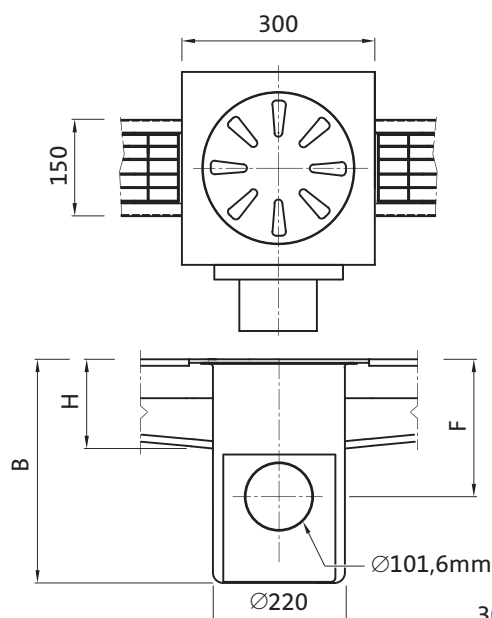
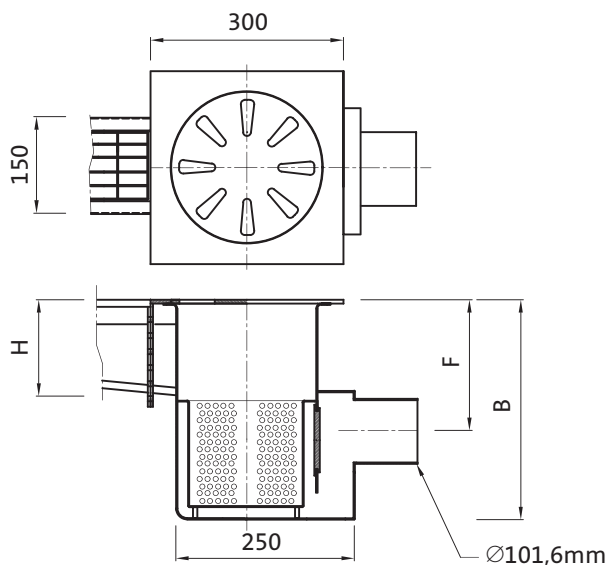
NOTE: Work is regularly carried out with totally personalised lengths taking no account of standard modules.



NOTE:
On request all systems can be fitted with adjustable feet for positioning and height levels.

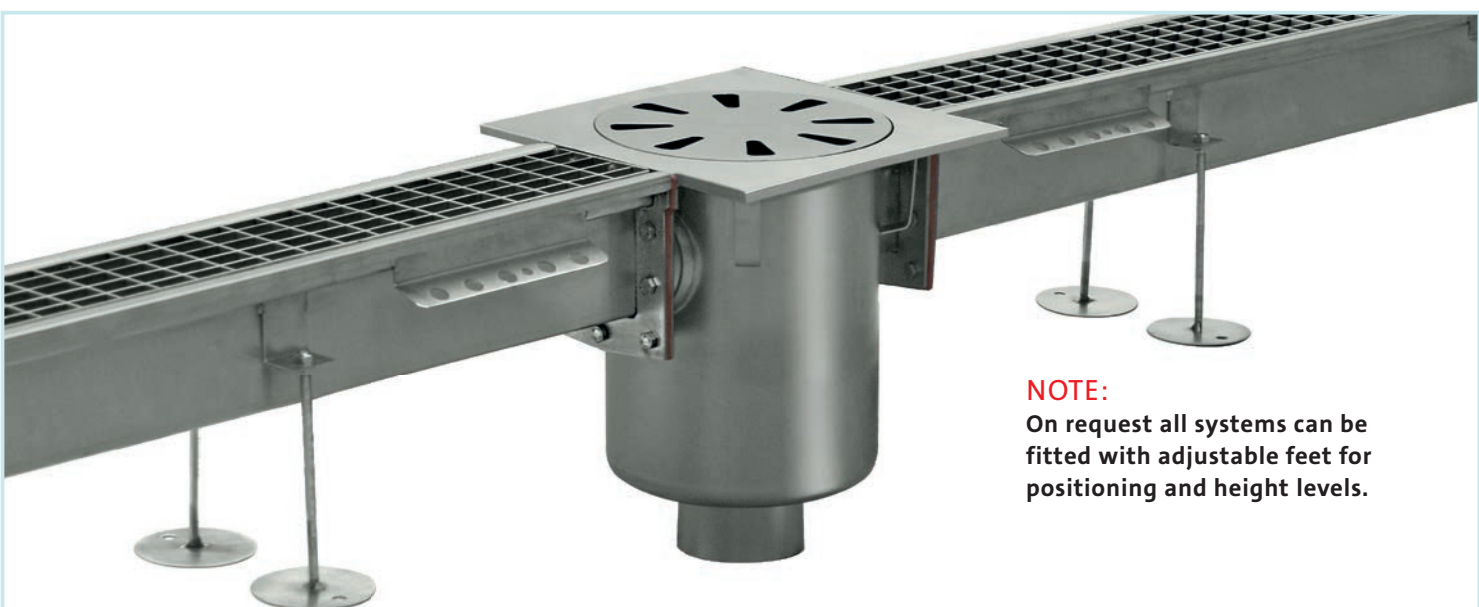
PC.002GL GULLY WITH SINGLE CONNECTION FOR CHANNEL, HORIZONTAL DISCHARGE.

PC.003GL GULLY WITH DOUBLE CONNECTION FOR CHANNEL, HORIZONTAL DISCHARGE.



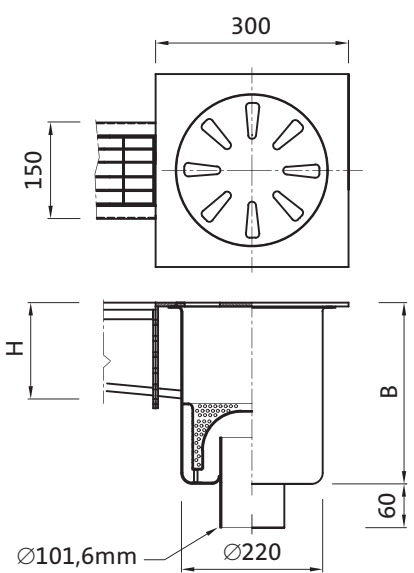
NOTE:
All systems are produced in accordance with the requirements of the customer, hence parameters such as length and position of the discharges are not binding.

Channel length	Channel height "H" on the gully	Size "B"	Middle discharge depth "F"
Up to MT. 5,00	95mm	280mm	130mm
From MT. 5 to MT. 10	120mm	305mm	155mm
From MT. 10 to MT. 15	145mm	330mm	180mm
From MT. 15 to MT. 20	170mm	355mm	205mm
From MT. 20 to MT. 25	195mm	380mm	230mm

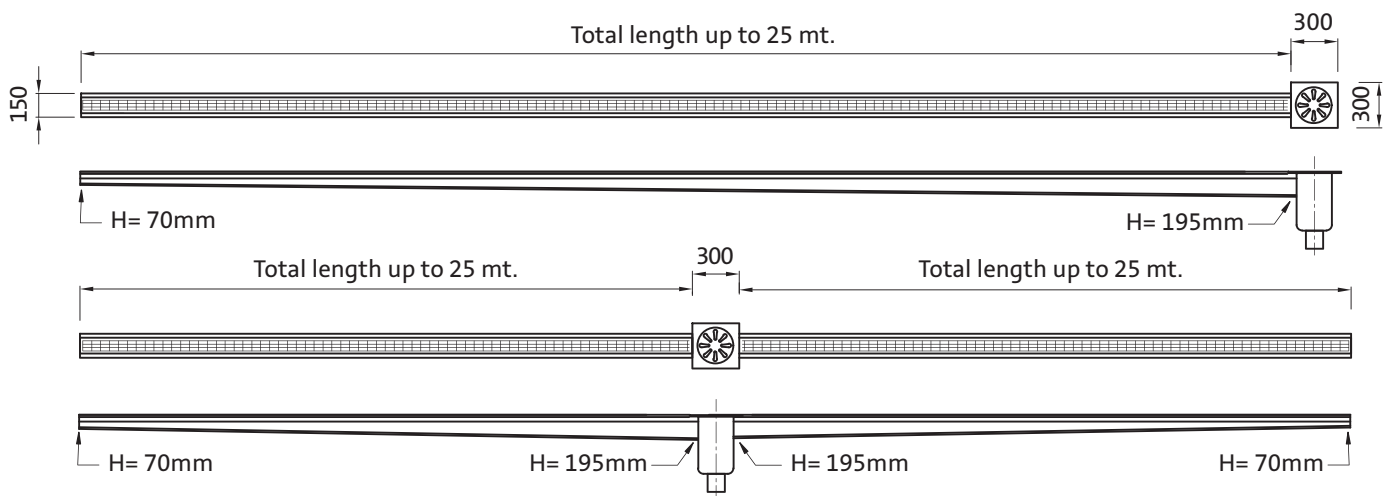
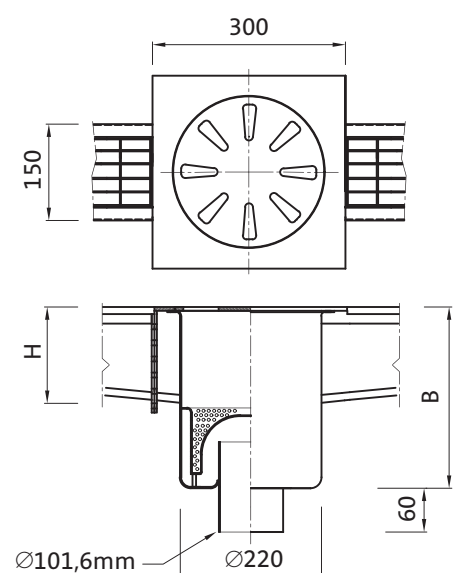


NOTE:
On request all systems can be fitted with adjustable feet for positioning and height levels.

PC.002GV GULLY WITH SINGLE CONNECTION FOR CHANNEL, VERTICAL DISCHARGE.



PC.003GV GULLY WITH DOUBLE CONNECTION FOR CHANNEL, VERTICAL DISCHARGE.



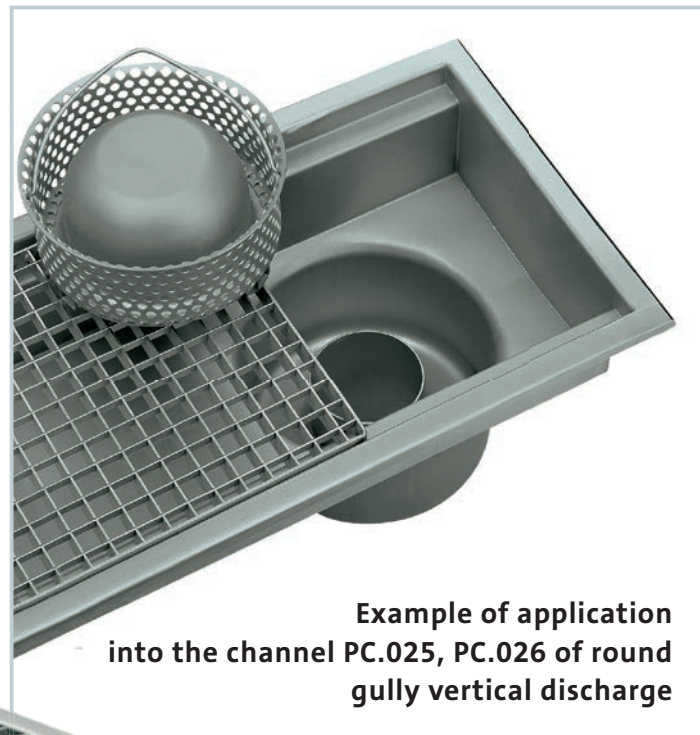
NOTE:
All systems are produced in accordance with the requirements of the customer, hence parameters such as length and position of the discharges are not binding.

	Channel height "H" on the gully	Size "B"
Up to MT. 5,00	95mm	265mm
From MT. 5 to MT. 10	120mm	290mm
From MT. 10 to MT. 15	145mm	315mm
From MT. 15 to MT. 20	170mm	340mm
From MT. 20 to MT. 25	195mm	365mm

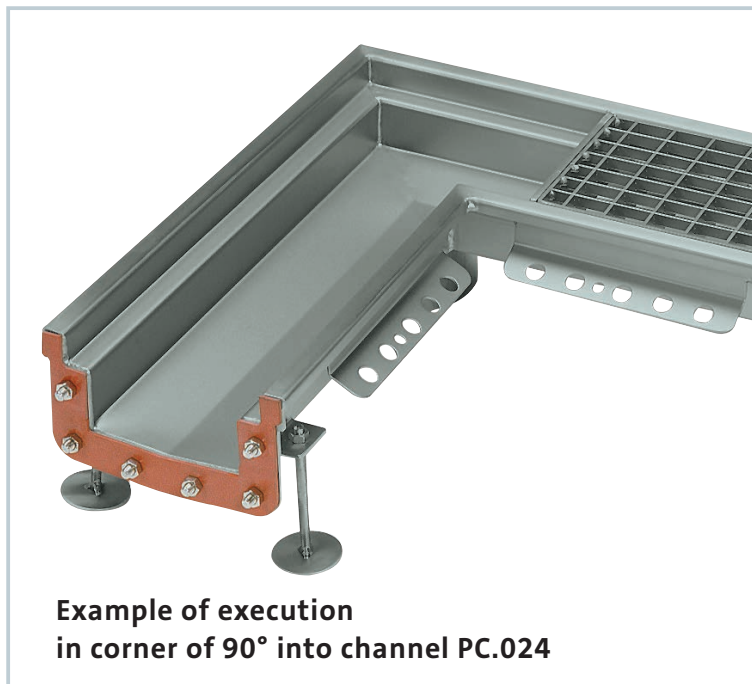
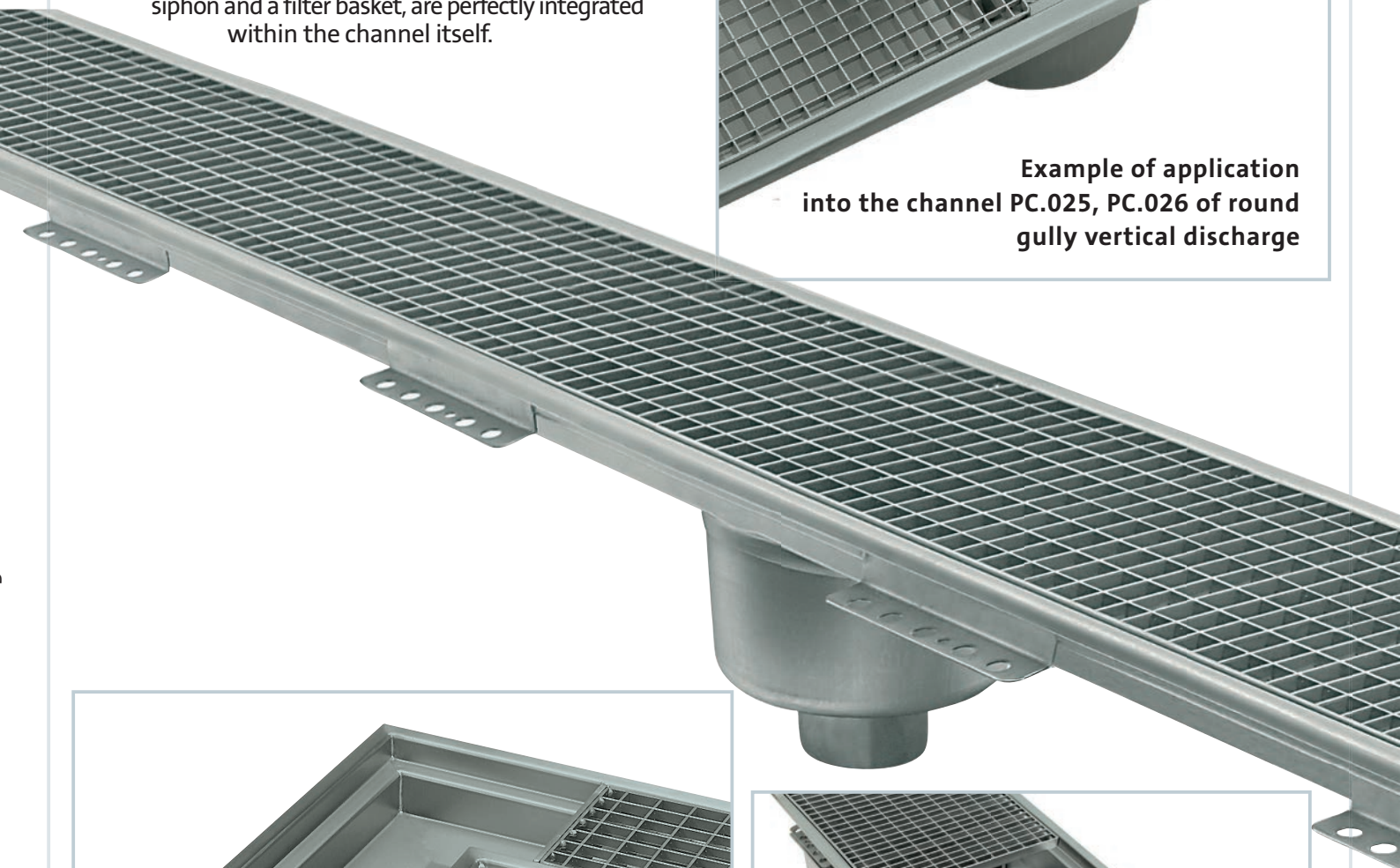
The "Leoni" channels with grating covers are particularly recommended in instances where there is a need for draining large quantities of water relatively quickly; in fact it is possible to combine these items with very large size discharges.

Constructed in AISI 304 stainless steel (or AISI 316 on request) parameters such as length, height, position of the discharges and the flow-rate of the grating covers can be varied depending on individual requirements.

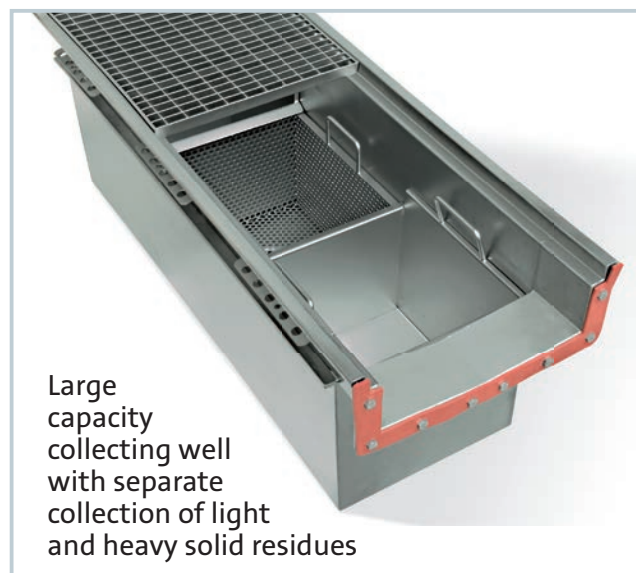
The totally inspectable discharges, equipped with a siphon and a filter basket, are perfectly integrated within the channel itself.



Example of application into the channel PC.025, PC.026 of round gully vertical discharge



Example of execution in corner of 90° into channel PC.024



Large capacity collecting well with separate collection of light and heavy solid residues

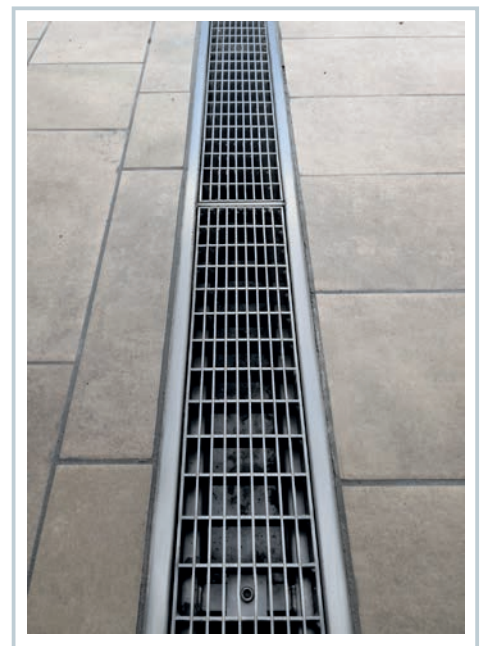
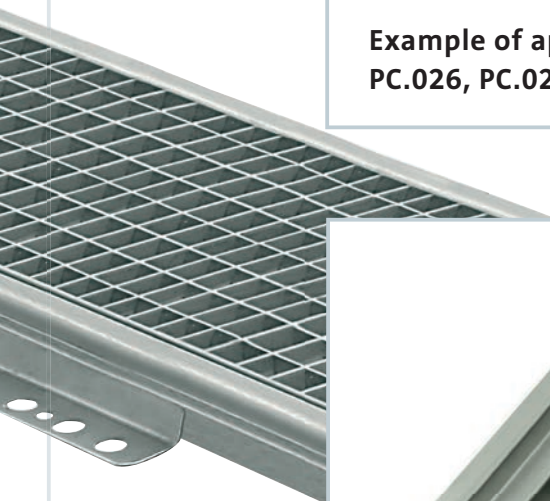
In the event that the supply is for large quantities the various modules can be supplied in lengths of 6.00 mt. The assembly of the various gullies and the channels is provided for by means of flanges with silicon seals that are secured with bolts to ensure that they remain water-tight.

For small supplies, to optimise the transport operations, the various pieces can be assembled into maximum lengths of 4.00 mt.

To facilitate the installation, a drawing will be attached to the material showing a system of numbering for installation of the pieces in the correct sequence.



Example of application into the channel PC.024, PC.028, PC.026, PC.025 of square gully horizontal outlet.

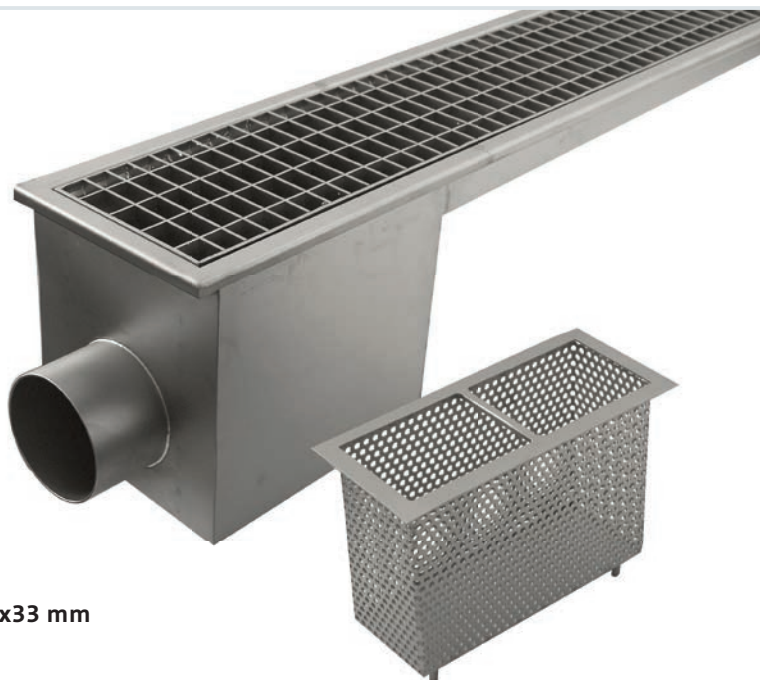


PC.024 HORIZONTAL OUTLET

PC.028

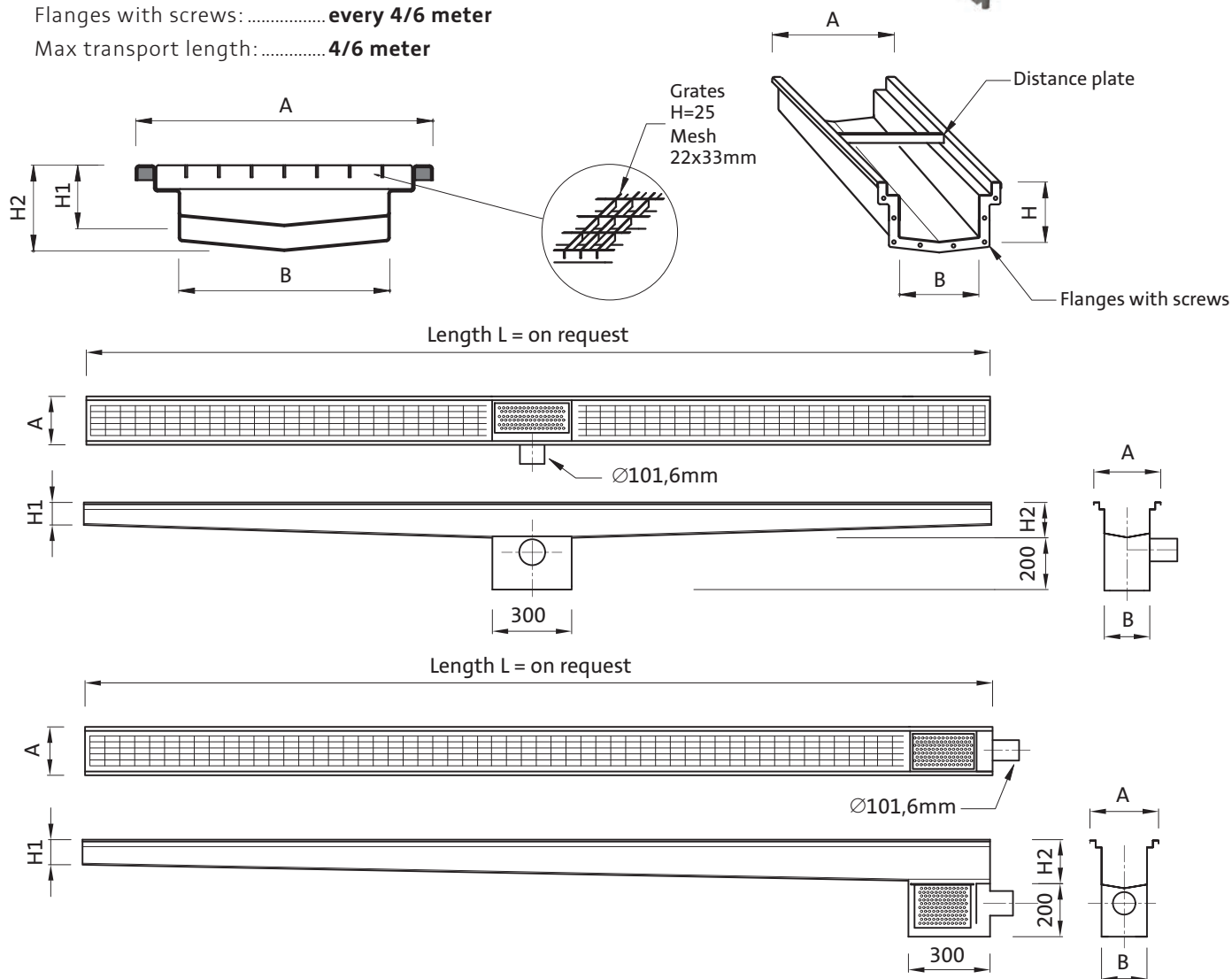
PC.025

PC.026



Main Features

- Thickness channels: **2 mm (3 mm on request)**
- Standard grates: **Height H=25 mm, mesh 22x33 mm**
- Integrated slope: **8 mm per running meter**
- Flanges with screws: **every 4/6 meter**
- Max transport length: **4/6 meter**



NOTE:

All systems are produced in accordance with the requirements of the customer, hence parameters such as length and position of the discharges are not binding.

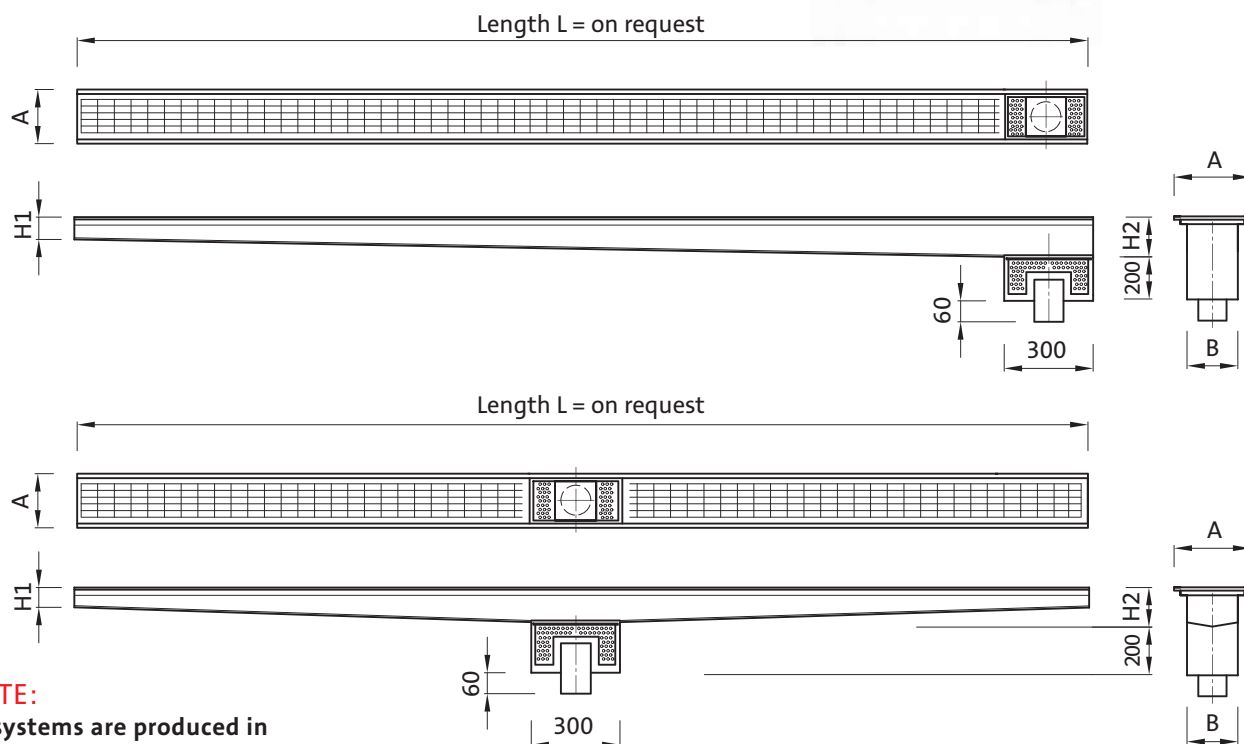
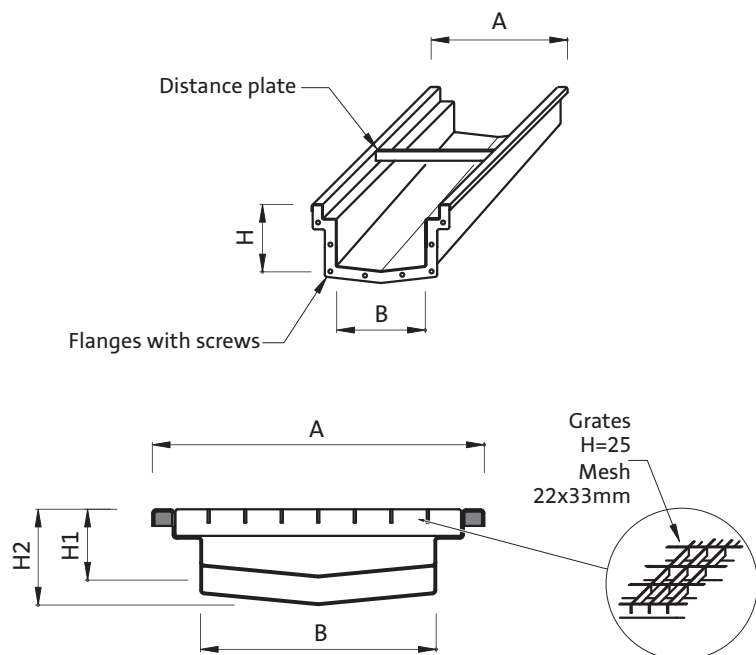
Main Measurements (mm)					
Cod.	Size "A"	Size "B"	Height "H1"	Height "H2"	Length "L"
PC.024	200mm	120mm	60mm	H1 + 8mm/MT. Per running meter	on request
PC.028	250mm	170mm	60mm		on request
PC.025	300mm	220mm	60mm		on request
PC.026	400mm	320mm	60mm		on request

PC.024 VERTICAL DISCHARGE

PC.028

Main Features

- Thickness channels: **2 mm (3 mm on request)**
- Standard grates: **Height H=25 mm, mesh 22x33 mm**
- Integrated slope: **8 mm per running meter**
- Flanges with screws: **every 4/6 meter**
- Max transport length: **4/6 meter**



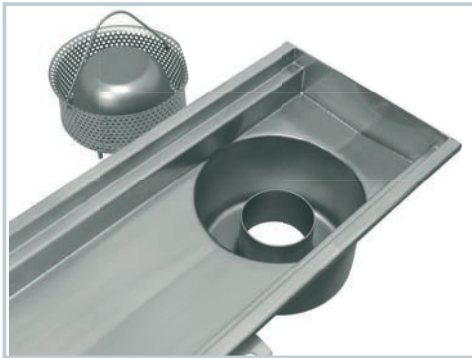
NOTE:

All systems are produced in accordance with the requirements of the customer, hence parameters such as length and position of the discharges are not binding.

Main Measurements (mm)					
Cod.	Size "A"	Size "B"	Height "H1"	Height "H2"	Length "L"
PC.024	200mm	120mm	60mm	H1 + 8mm/MT. Per running meter	on request
PC.028	250mm	170mm	60mm		on request

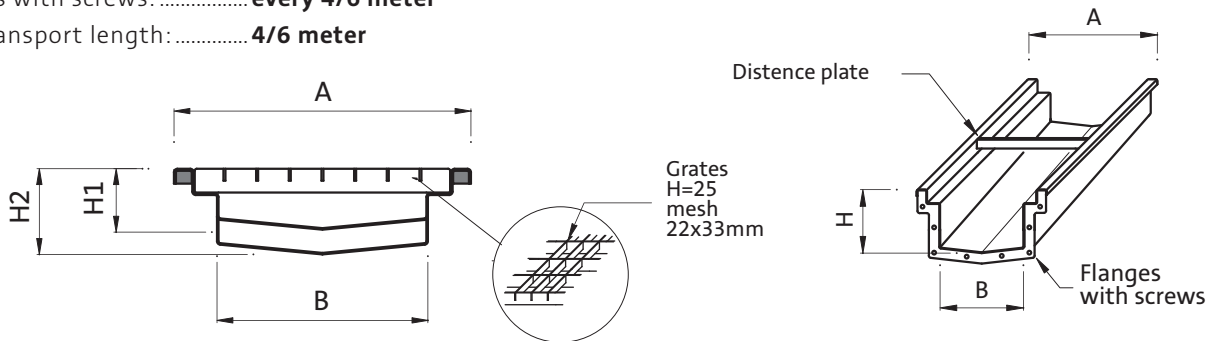
PC.025 VERTICAL DISCHARGE

PC.026

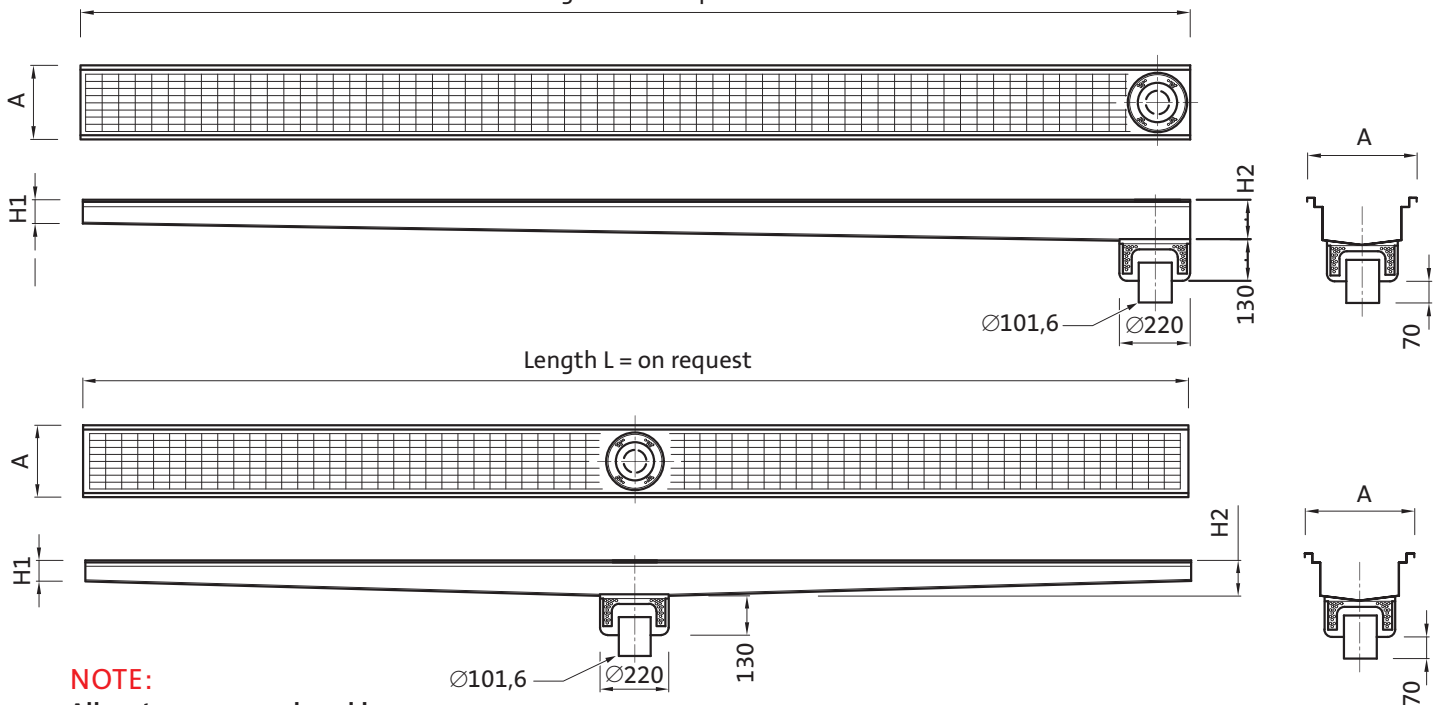


Main Features

- Thickness channels: **2 mm (3 mm on request)**
- Standard grates: **Height H=25 mm, mesh 22x33 mm**
- Integrated slope: **8 mm per running meter**
- Flanges with screws: **every 4/6 meter**
- Max transport length: **4/6 meter**



Length L = on request



NOTE:

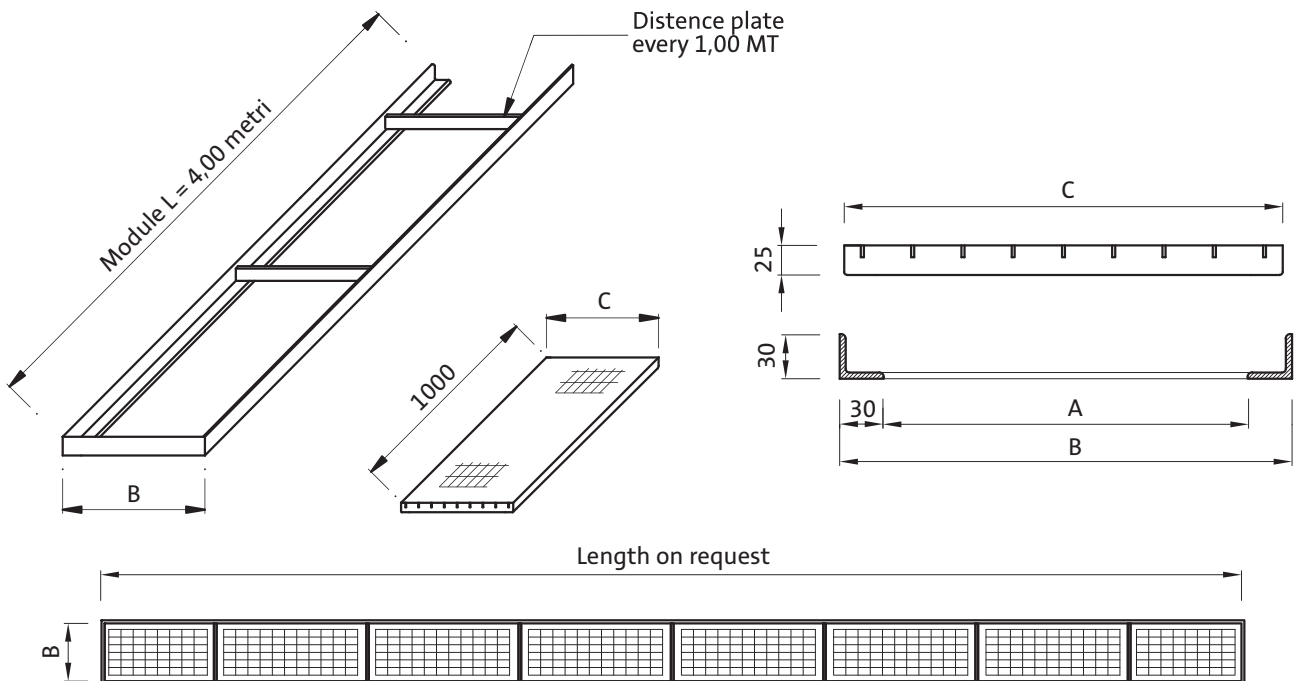
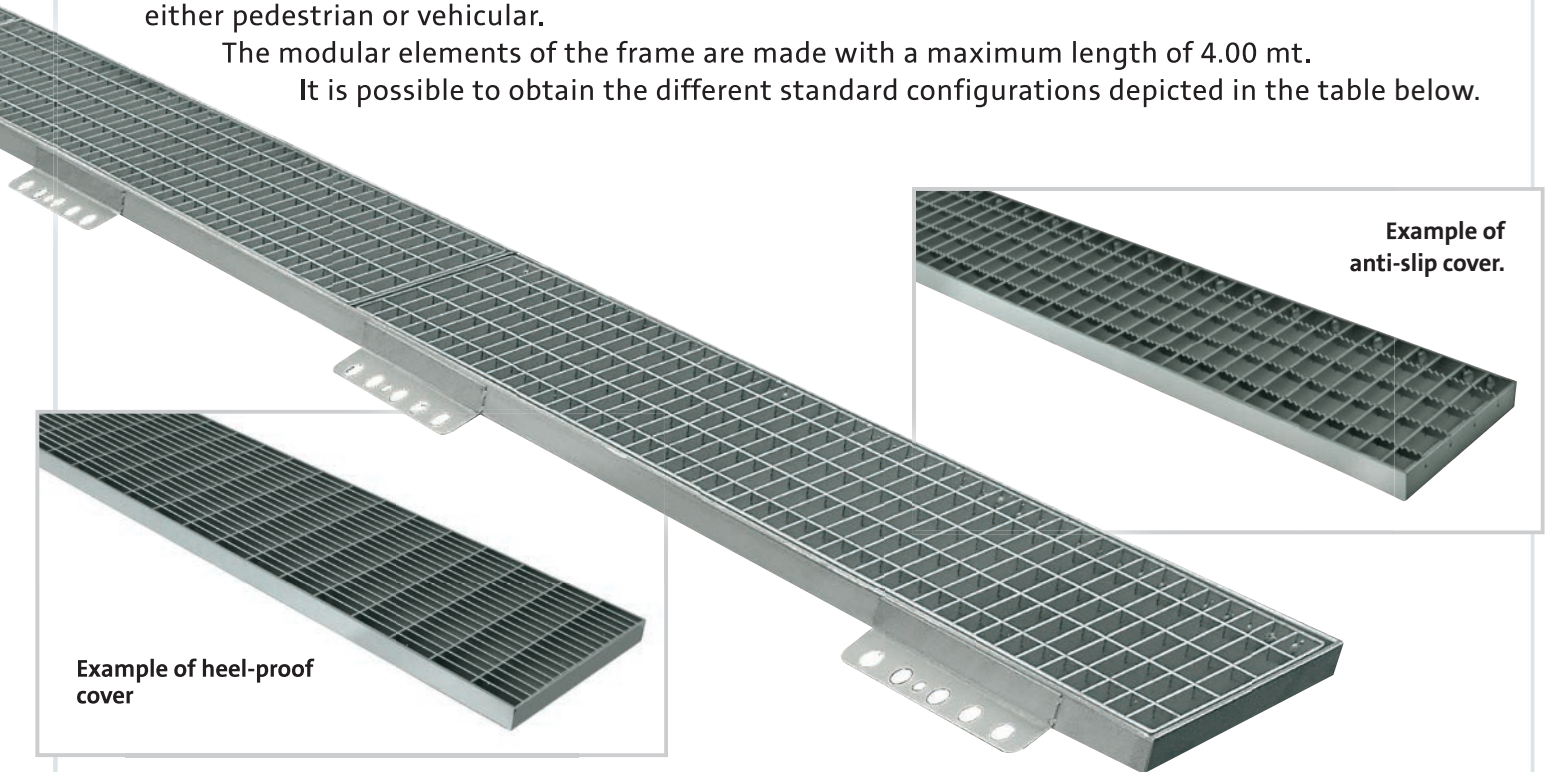
All systems are produced in accordance with the requirements of the customer, hence parameters such as length and position of the discharges are not binding.

Main Measurements (mm)					
Cod.	Size "A"	Size "B"	Height "H1"	Height "H2"	Length "L"
PC.025	300mm	220mm	60mm	H1 + 8mm/MT. Per running meter	on request
PC.026	400mm	320mm	60mm		on request

Used in situations in which there is a need for a drainage channel with a grating panel surface resting on an angular frame, with inside channel width usually in concrete.
 Constructed in AISI 304, they are used particularly in exterior situations such as courtyards and forecourts. The grating panels each with a length of 1.00 mt are sized for different load-bearing characteristics, either pedestrian or vehicular.

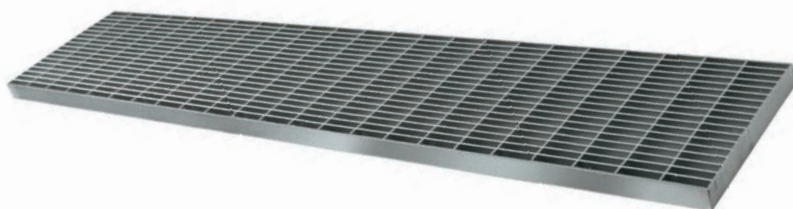
The modular elements of the frame are made with a maximum length of 4.00 mt.

It is possible to obtain the different standard configurations depicted in the table below.



NOTE:
 Available with anti-slip,
 heel-proof panels.

Standard dimensions			
Cod.	Size "A"	Size "B"	Size "C"
TGR.150	61mm	121mm	108mm
TGR.200	108mm	168mm	155mm
TGR.250	158mm	218mm	205mm
TGR.300	208mm	268mm	255mm
TGR.400	308mm	368mm	355mm



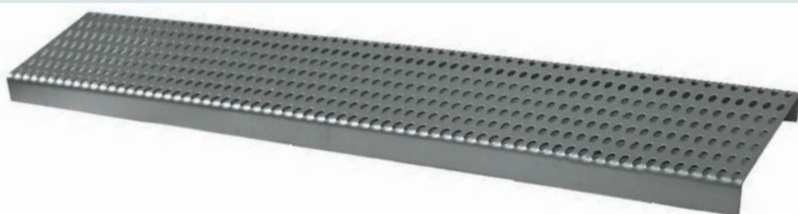
Heel-proof version grating panel

NOTE: Medium suitability for vehicles for all models.



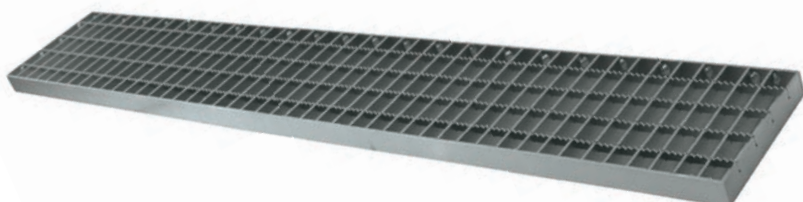
Panel in textured heavy duty sheet metal with slots and reinforcements in heel-proof plate

NOTE: Good suitability for vehicles for all models.



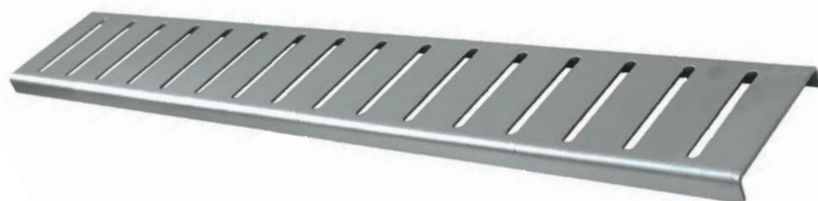
Panel in perforated sheet metal normally used with PC 023

NOTE: Not suitable for vehicles



Grating panel with anti-slip grooves

NOTE: For all models



Slotted panel in heavy duty sheet steel particularly for PC 023 - PC 024

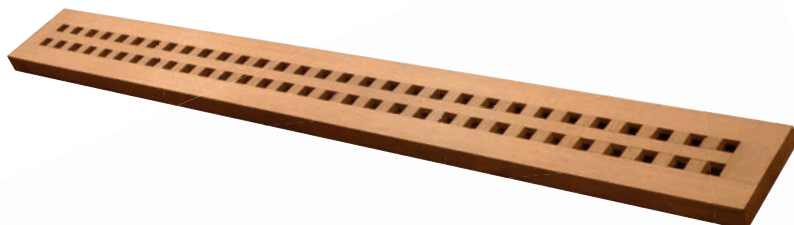


Flat bar panel

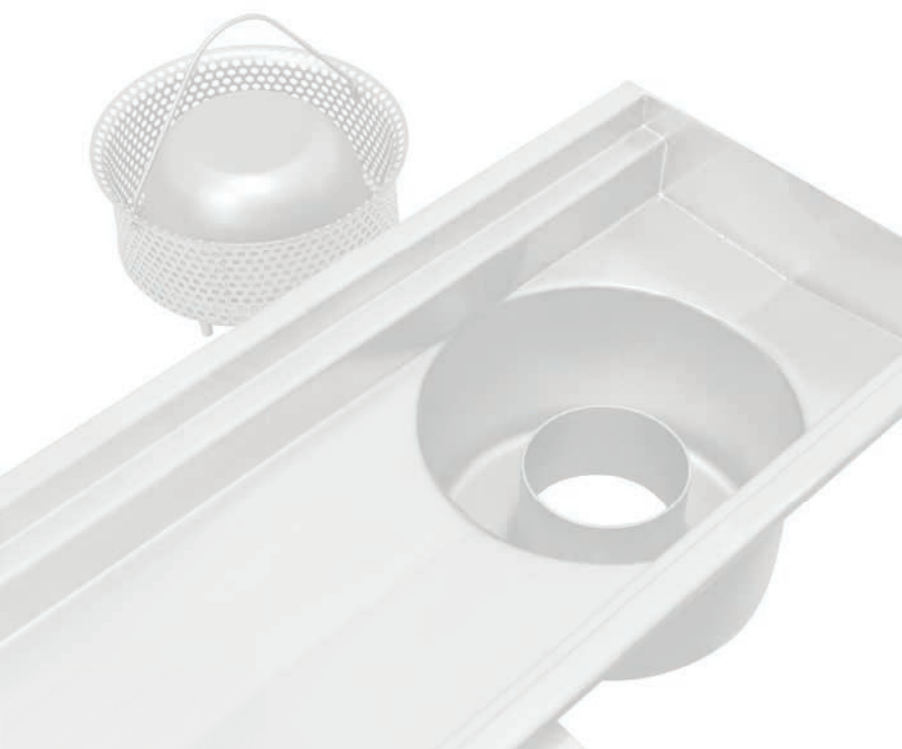
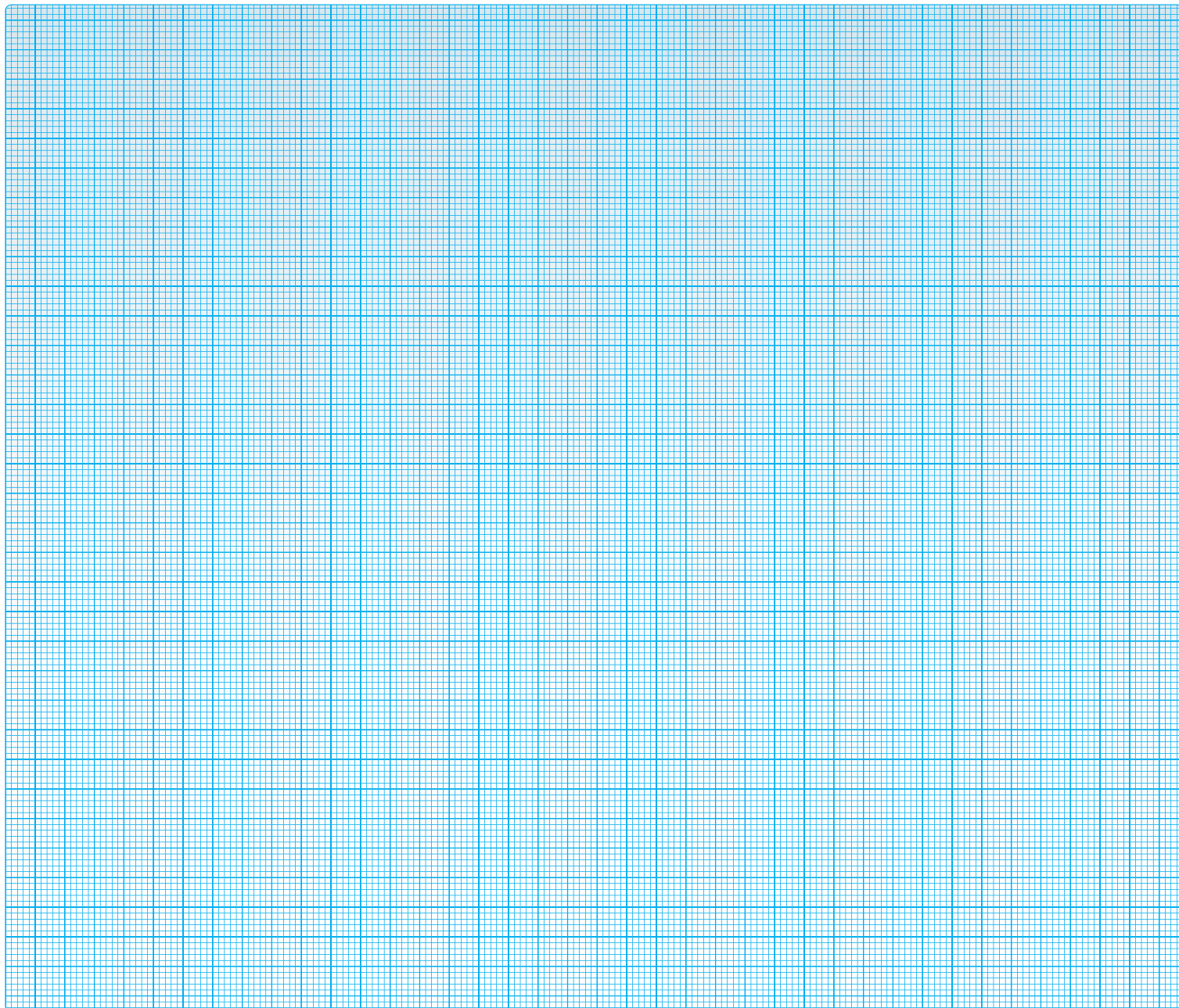
NOTE: Excellent suitability for vehicles for all models



Heavy duty plate panel + square section bar reinforcements. Particularly for PC 023 - PC 024. Excellent suitability for vehicles



Cover in Tek, mainly for channels in shower and pool areas.



Inox pipes main diameter	
External diameter (mm) X thickness (mm)	
D. 33,7 X 2	D. 80 X 2
D. 40 X 2	D. 88,9 X 2
D. 42,4 X 2	D. 101,6 X 2
D. 48,3 X 2	D. 110 X 2
D. 50 X 2	D. 114,3 X 2
D. 52 X 2	D. 129 X 2
D. 54 X 2	D. 139,7 X 2
D. 60,3 X 2	D. 154 X 2
D. 63,5 X 2	D. 168,3 X 2
D. 75 X 2	D. 204 X 2
D. 76,1 X 2	D. 219,1 X 2



משווק ע"י מגט קונקט בע"מ



ת.ד. 499 מעלות 2101301

טל: 04-9972227 פקס: 04-9976217

Web: www.mgt-connect.co.il

Email: sales@mgt-connect.co.il